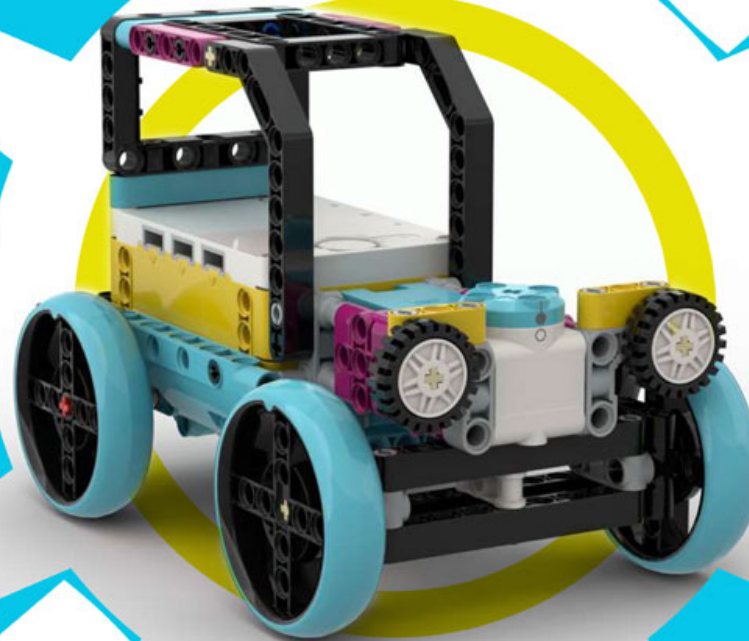


Let's roll **SPIKE**

HOT ROD



Dimitrios Kravvaris

information

Let's roll SPIKE - HOT ROD*

Dimitrios Kravvaris

devbots.eu@gmail.com

www.devbots.eu

This ebook is licensed under a



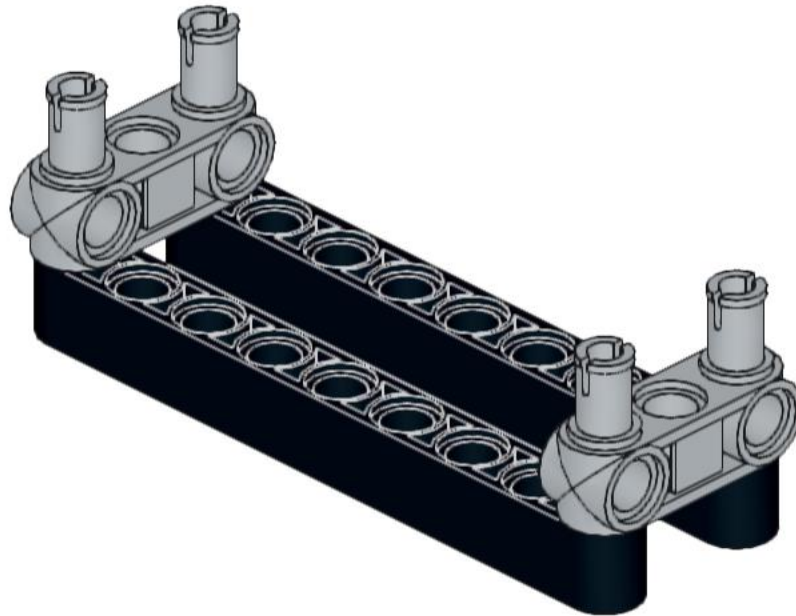
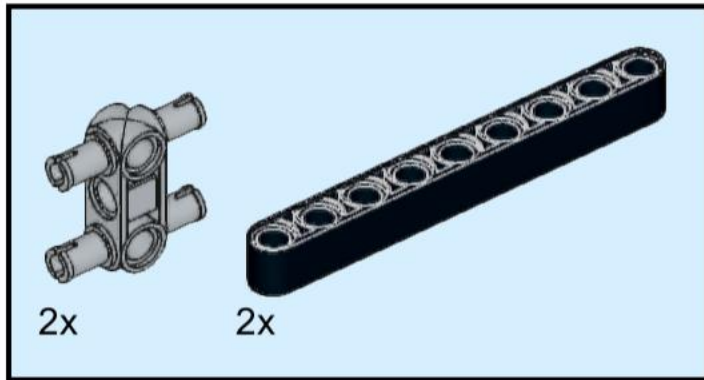
Creative Commons Attribution-NonCommercial-ShareAlike 4.0 International License.

** The model is based on the original idea of Anton's Mindstorms Hot Rod with 51515 <https://antonsmindstorms.com/>*

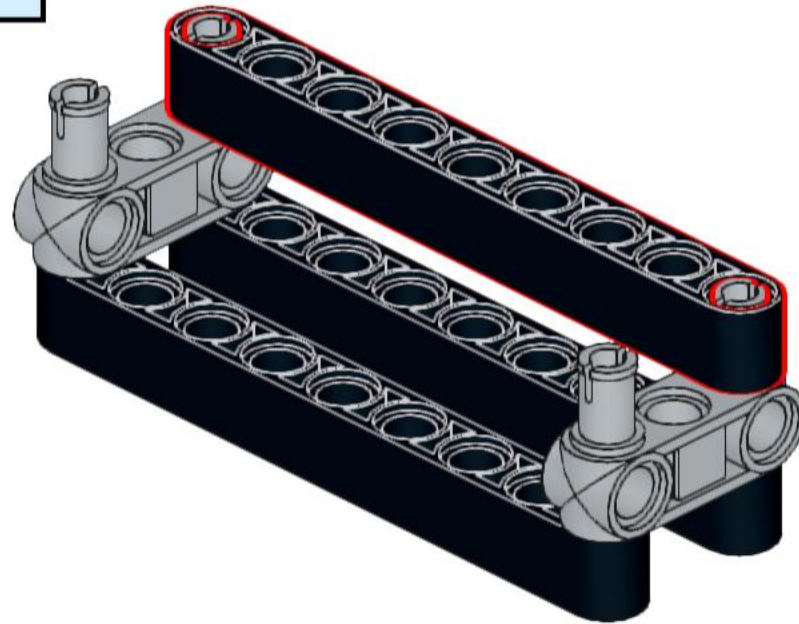
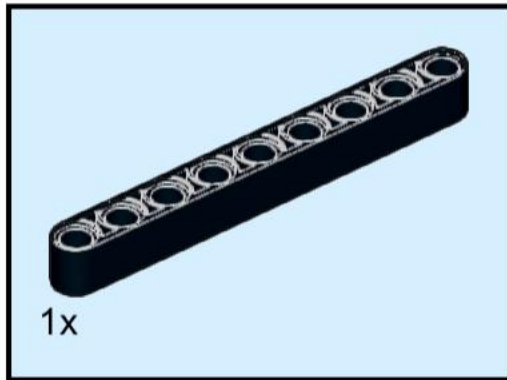
BUILDING INSTRUCTIONS



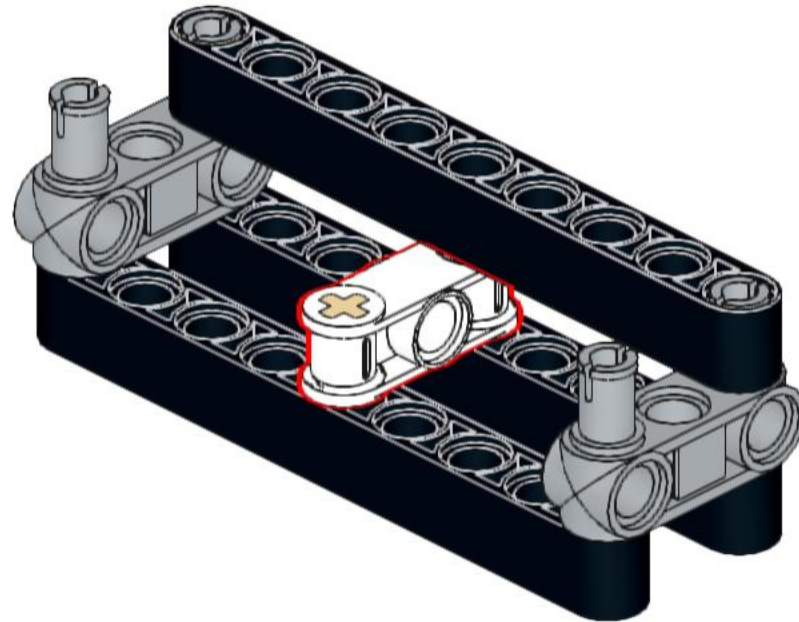
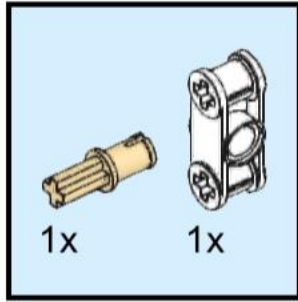
1



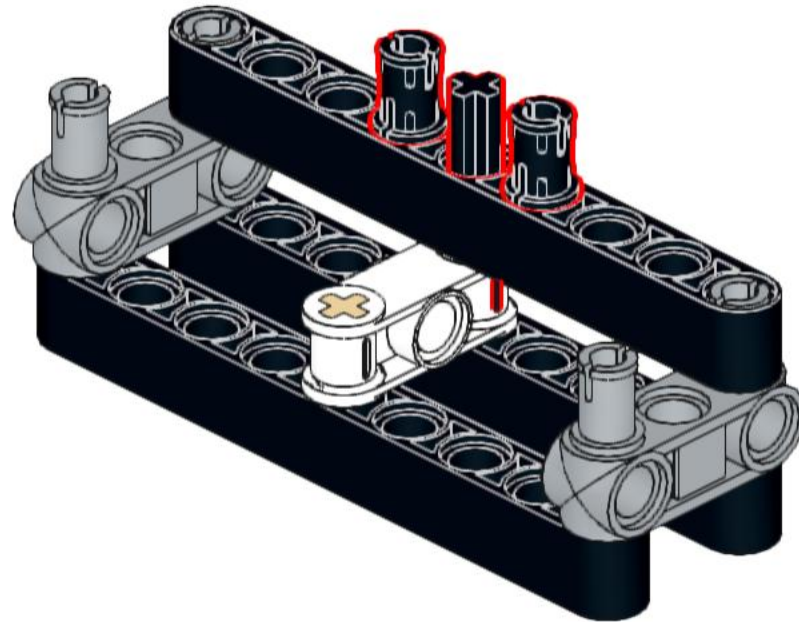
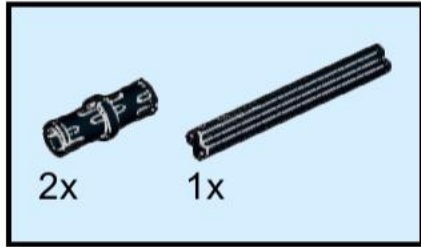
2



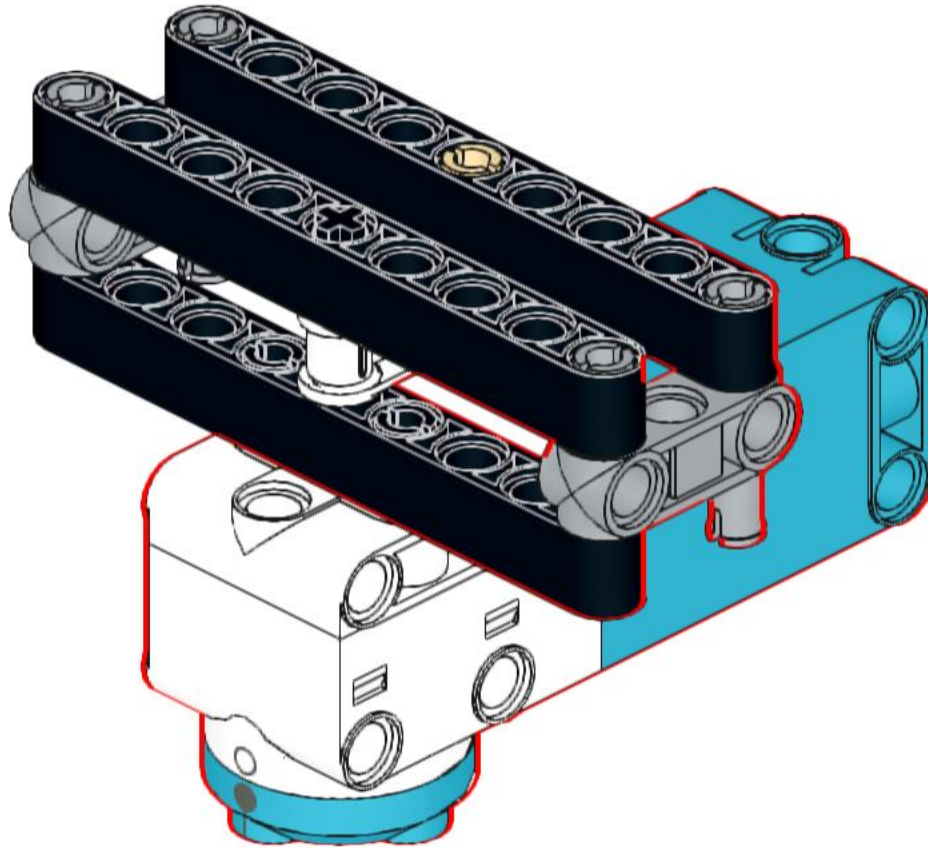
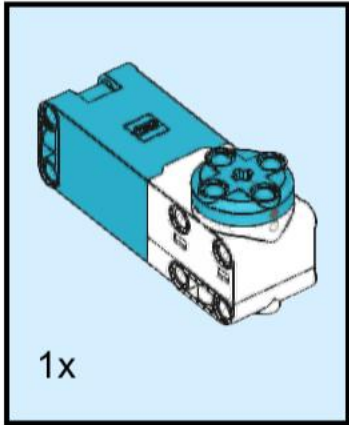
3



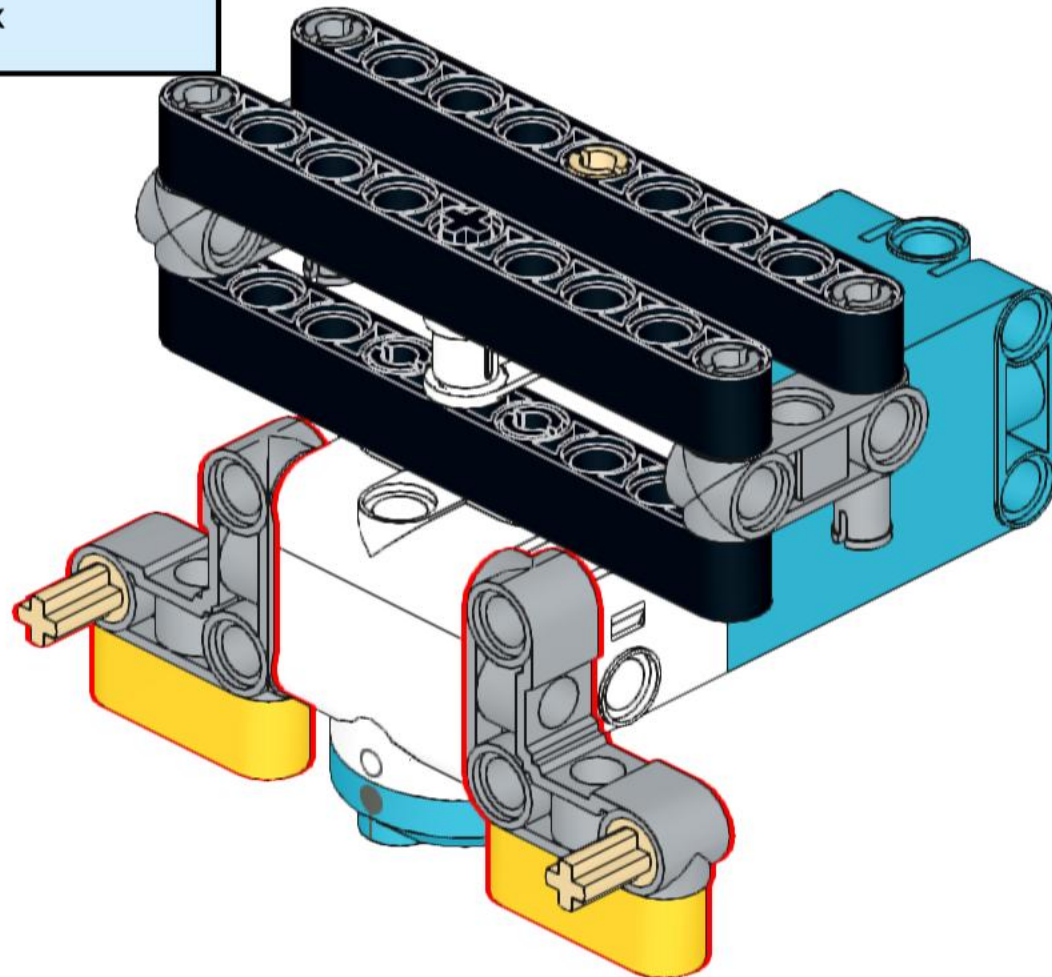
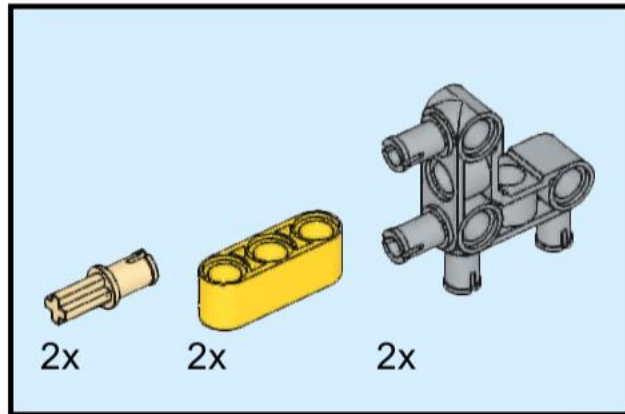
4



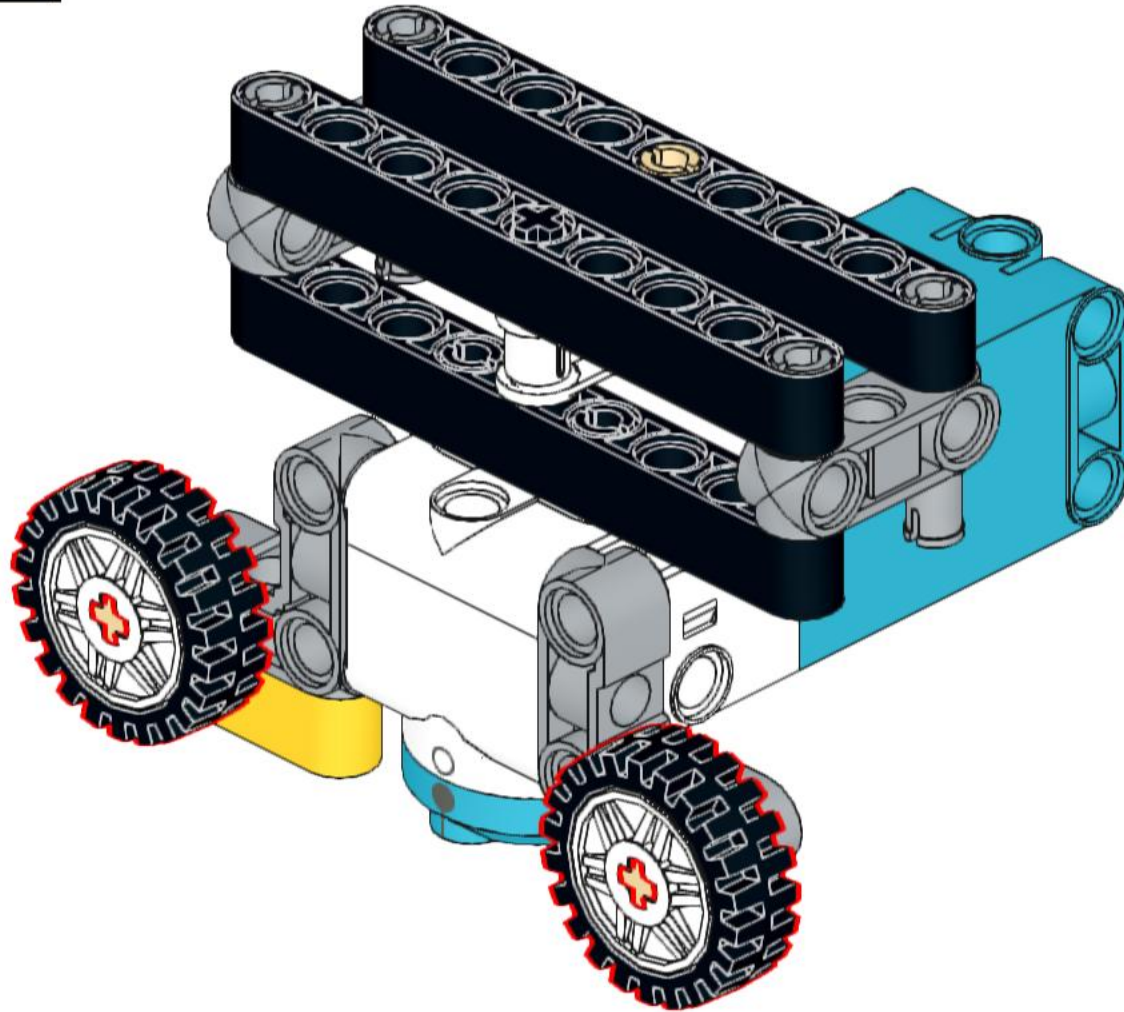
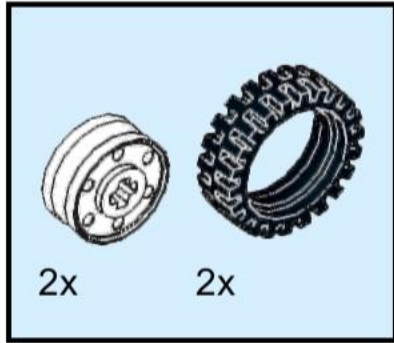
5



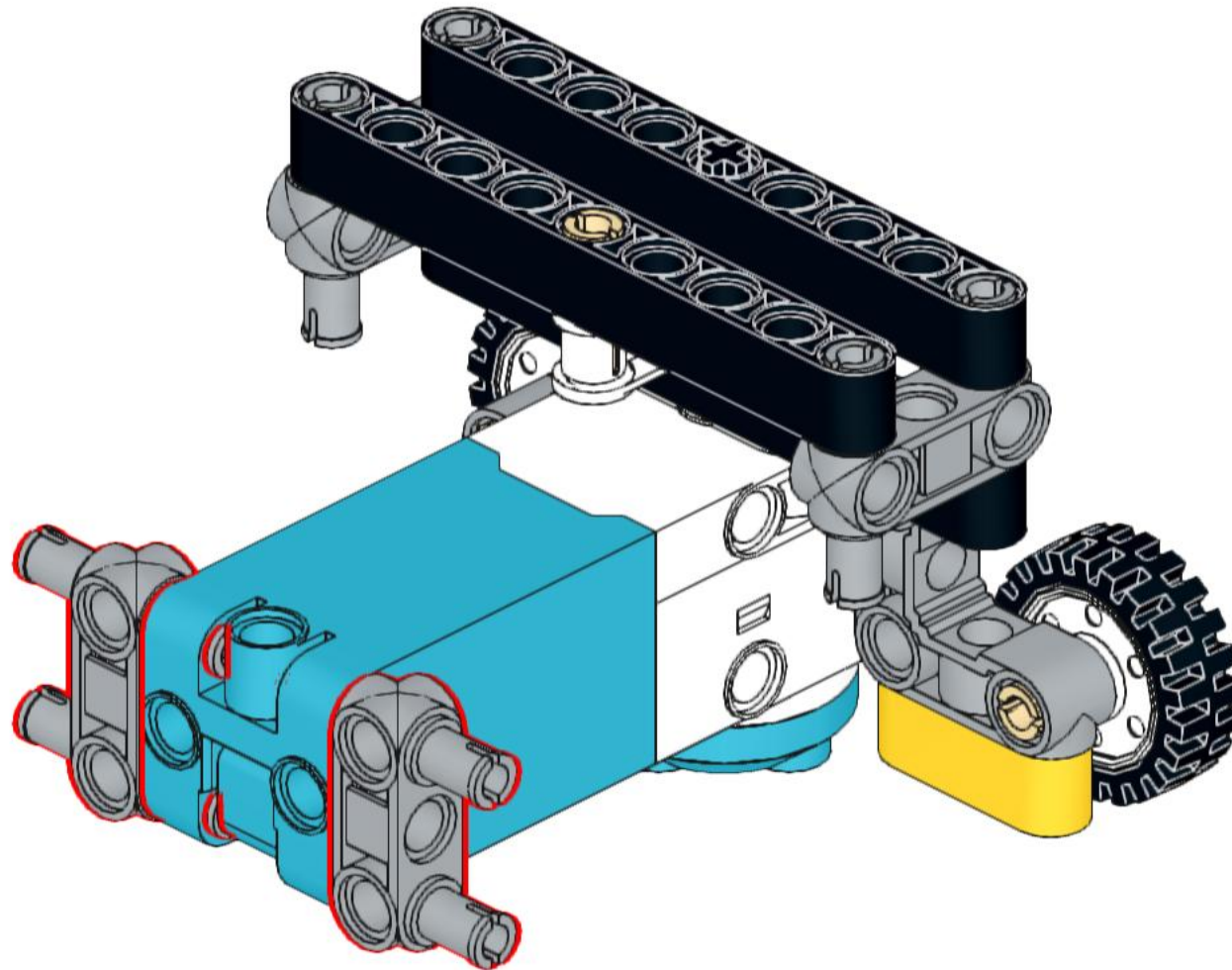
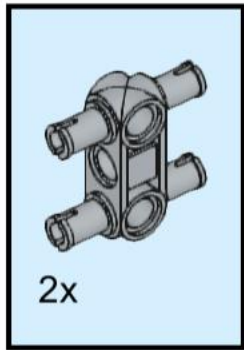
6



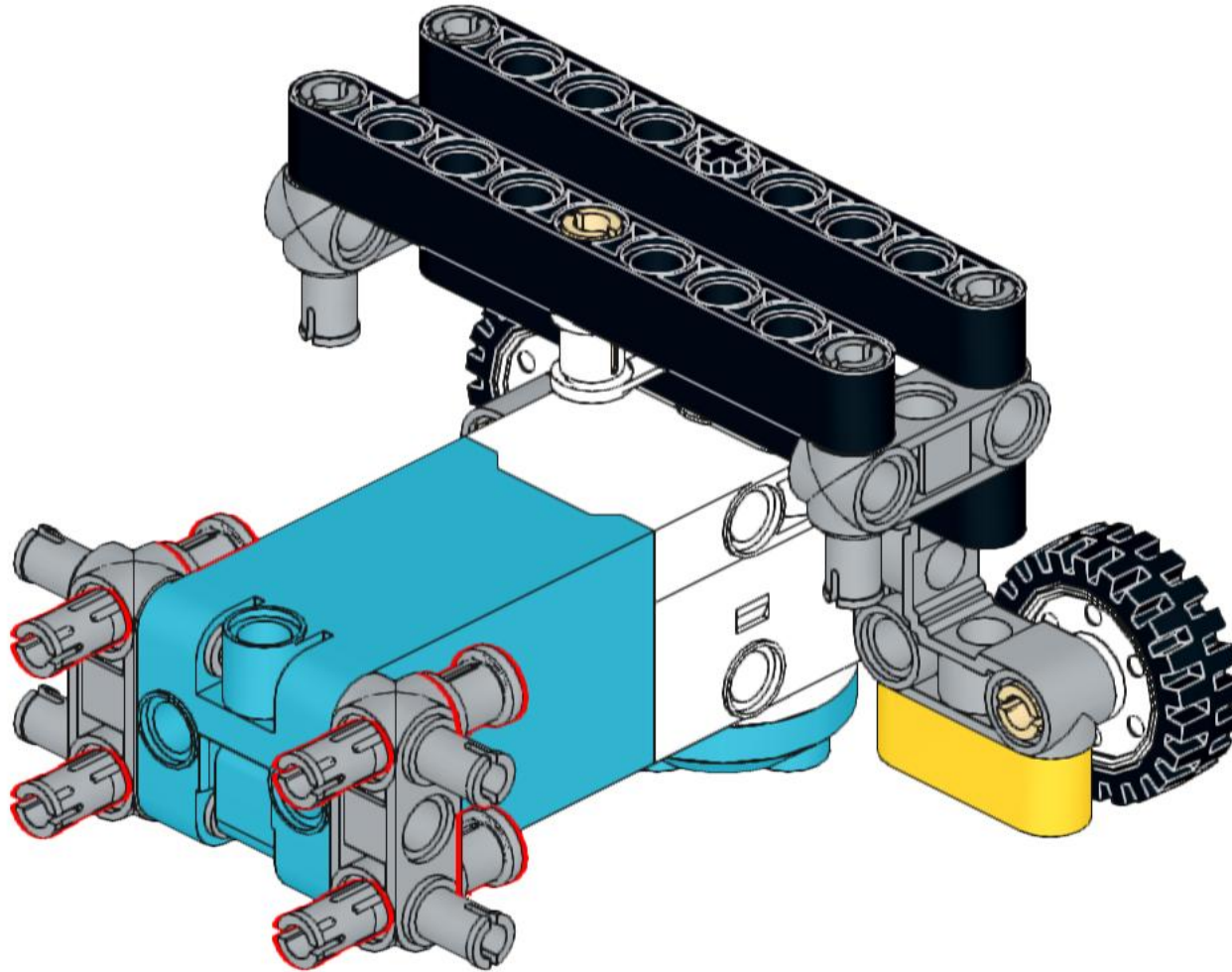
7



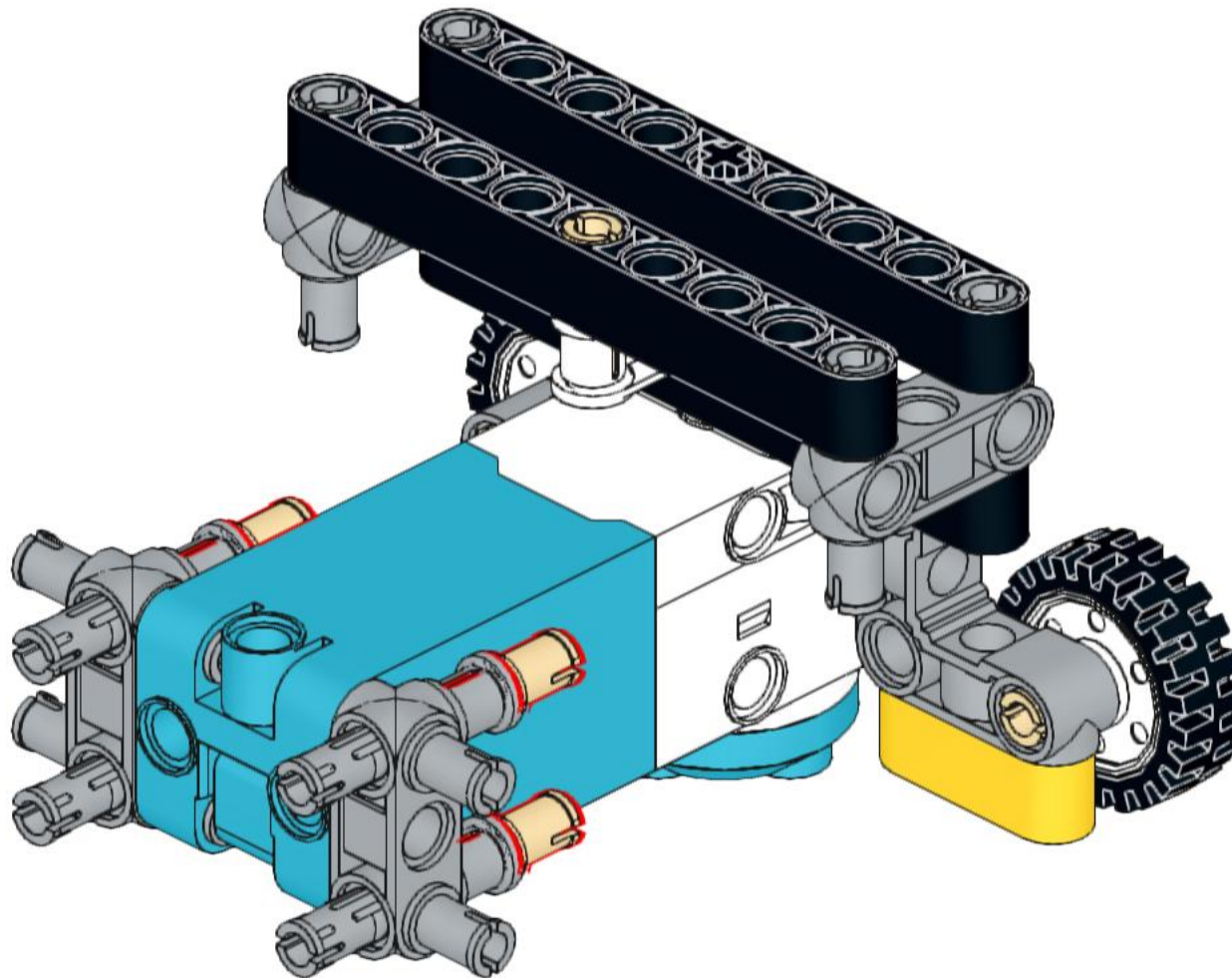
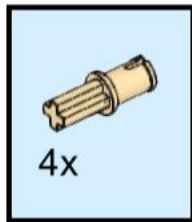
8



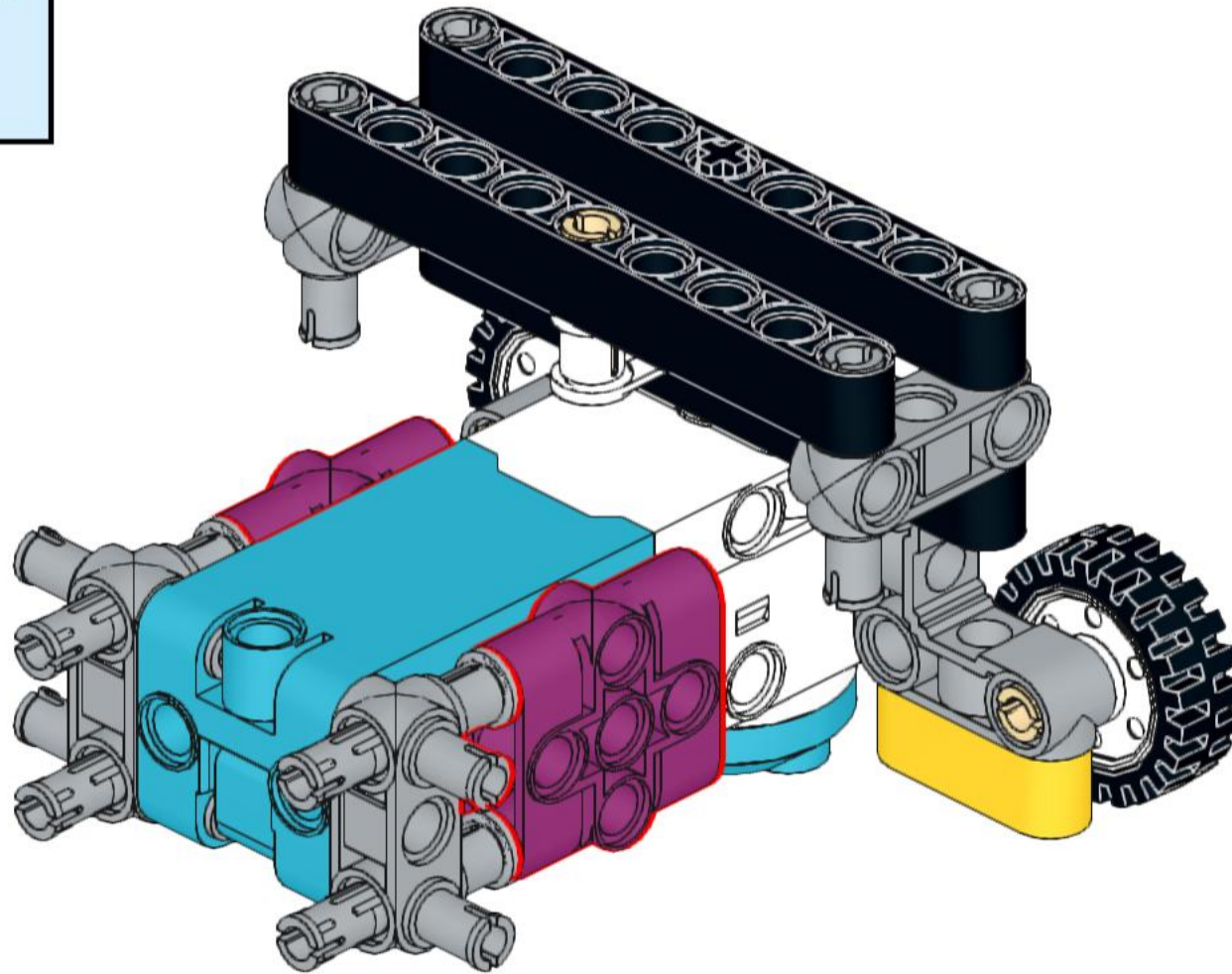
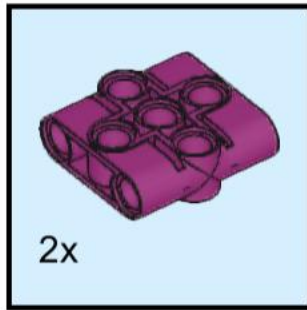
9



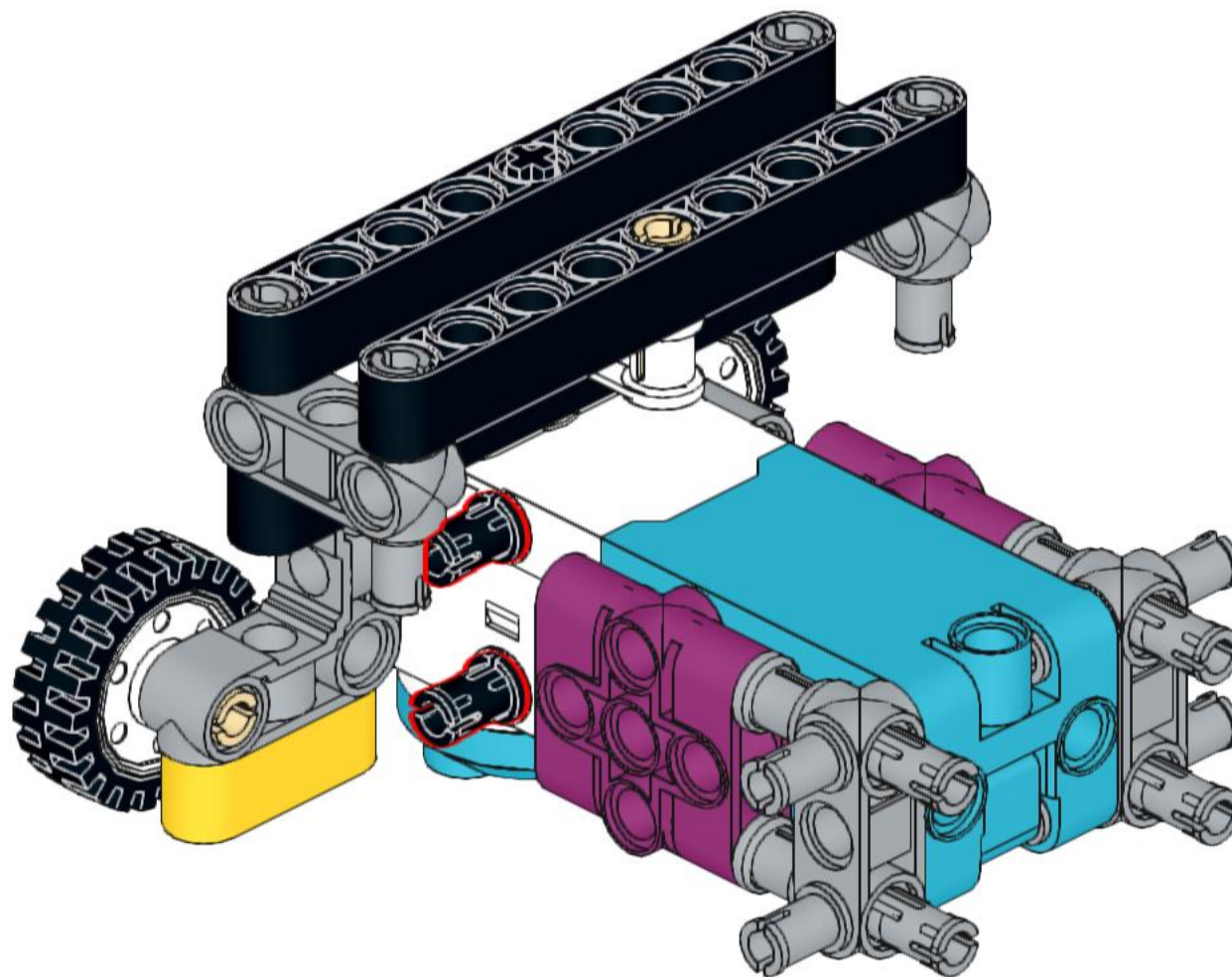
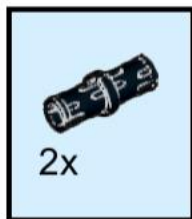
10



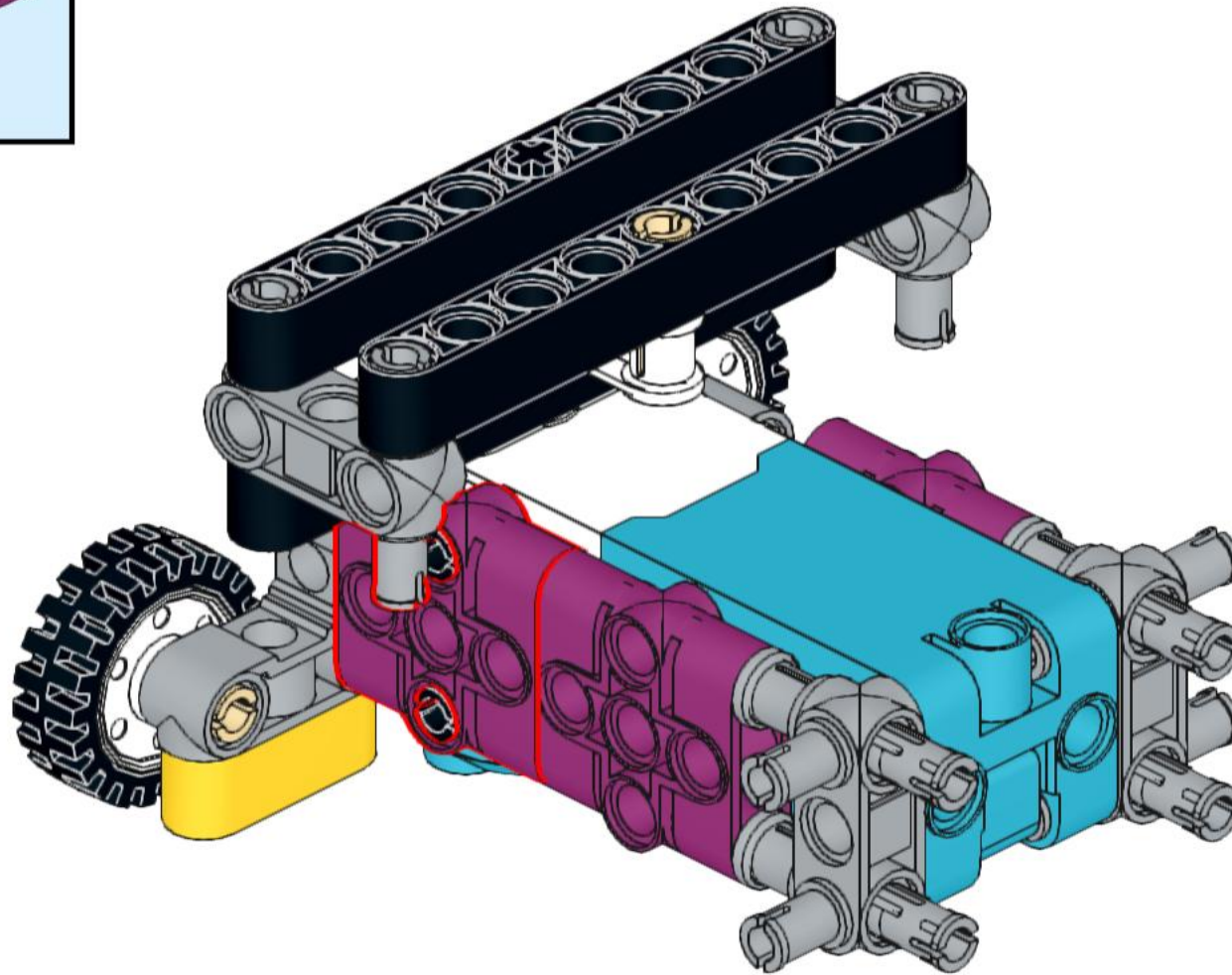
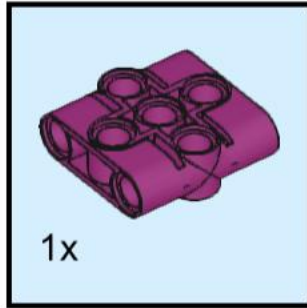
11



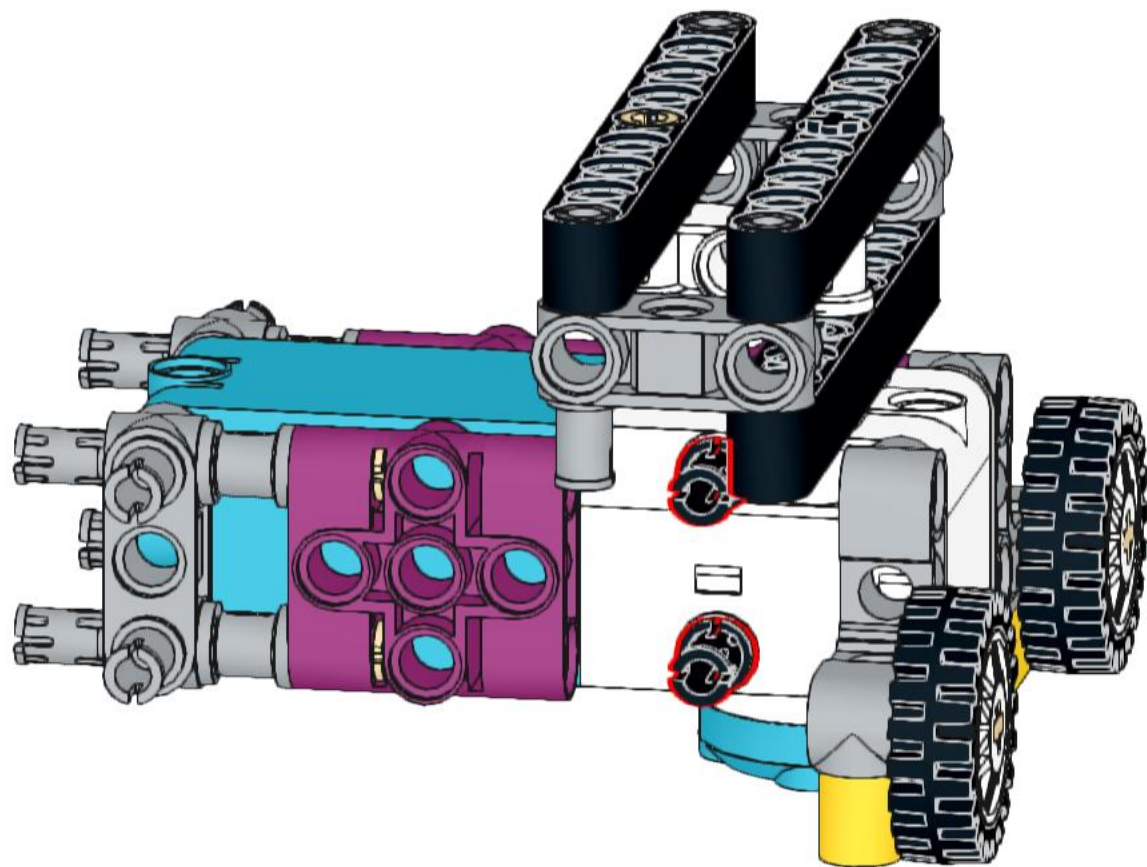
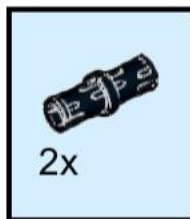
12



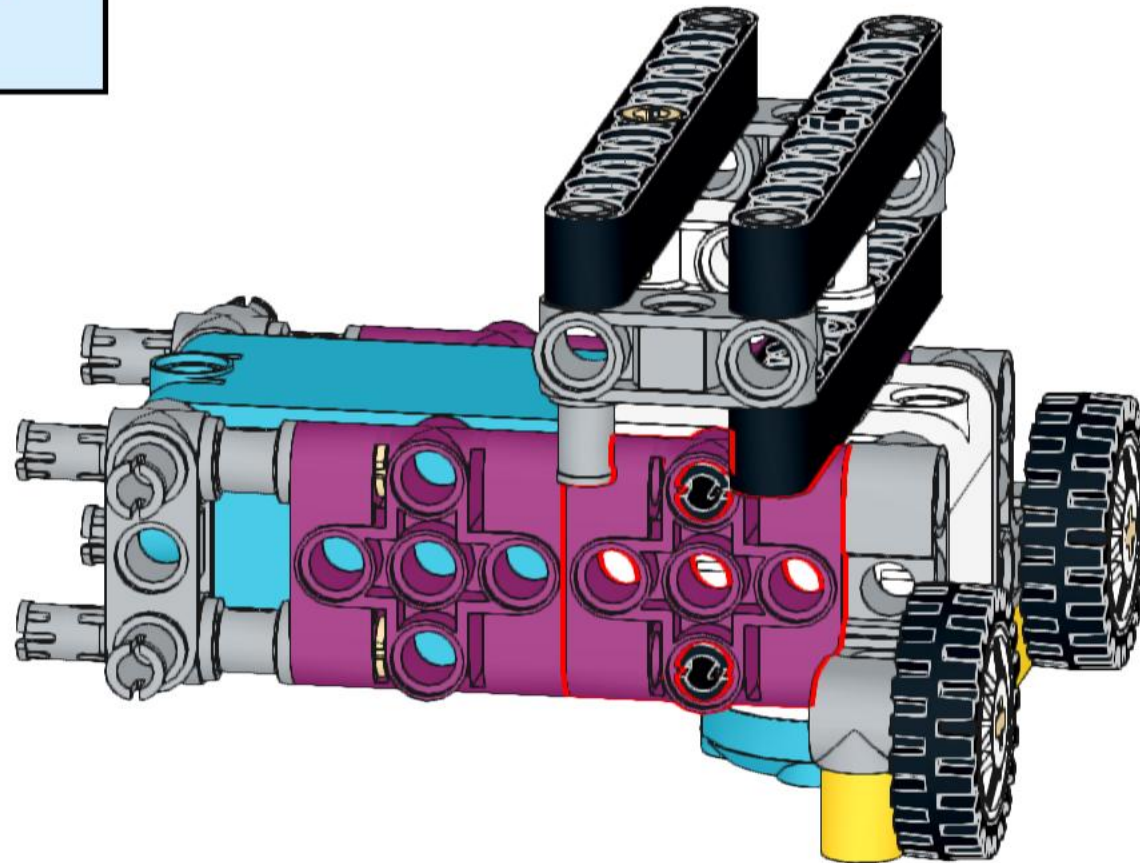
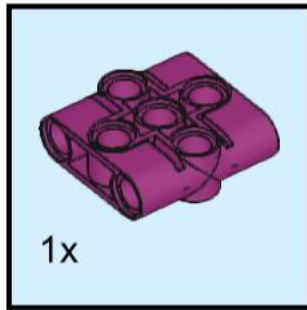
13



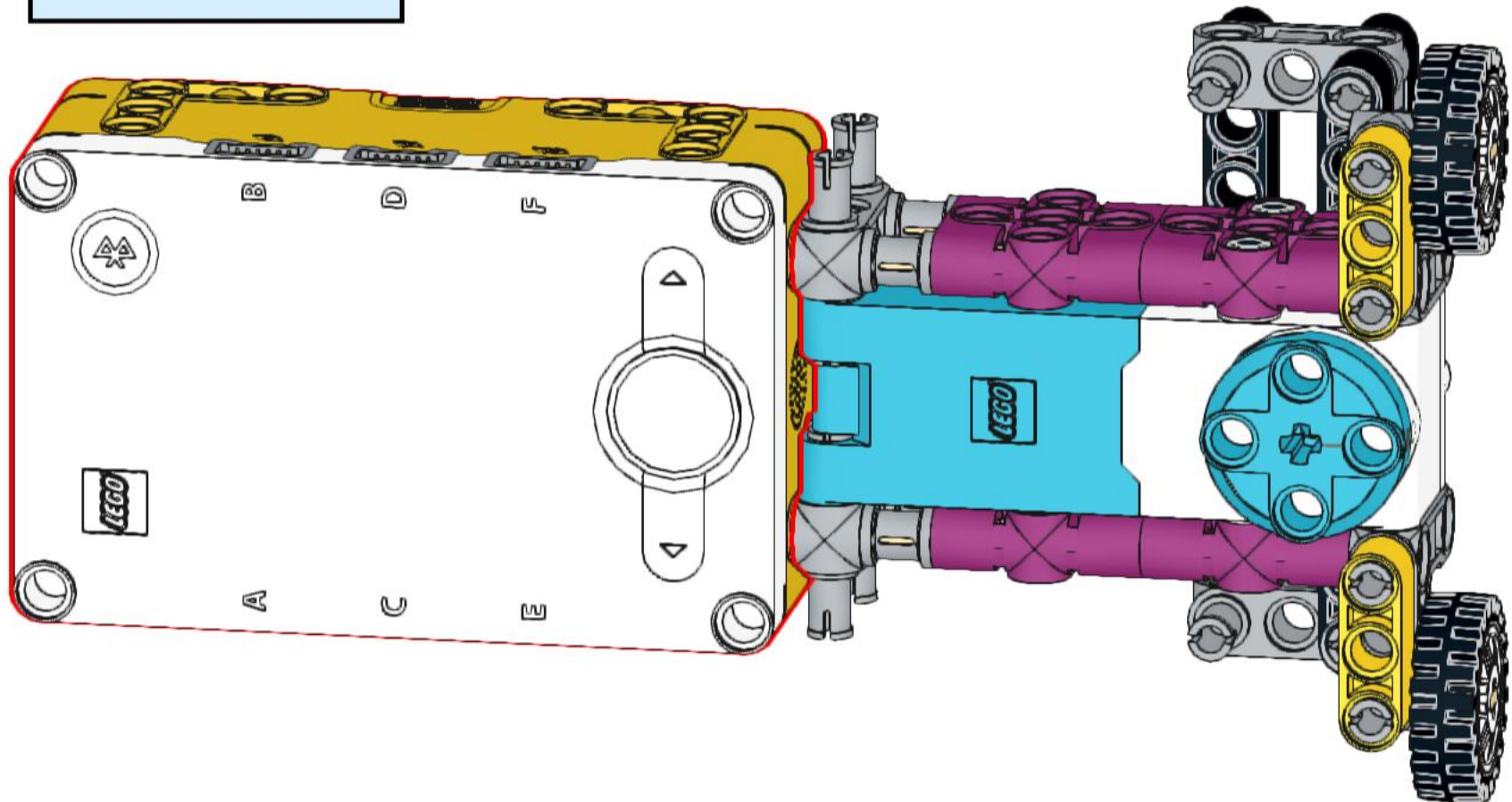
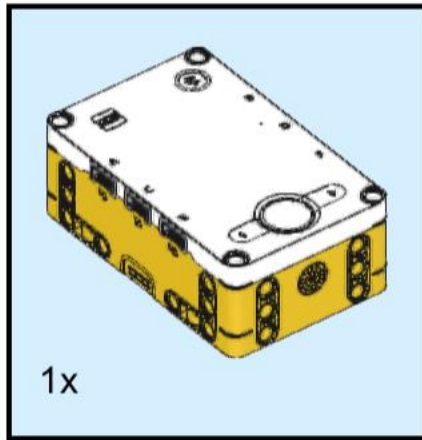
14



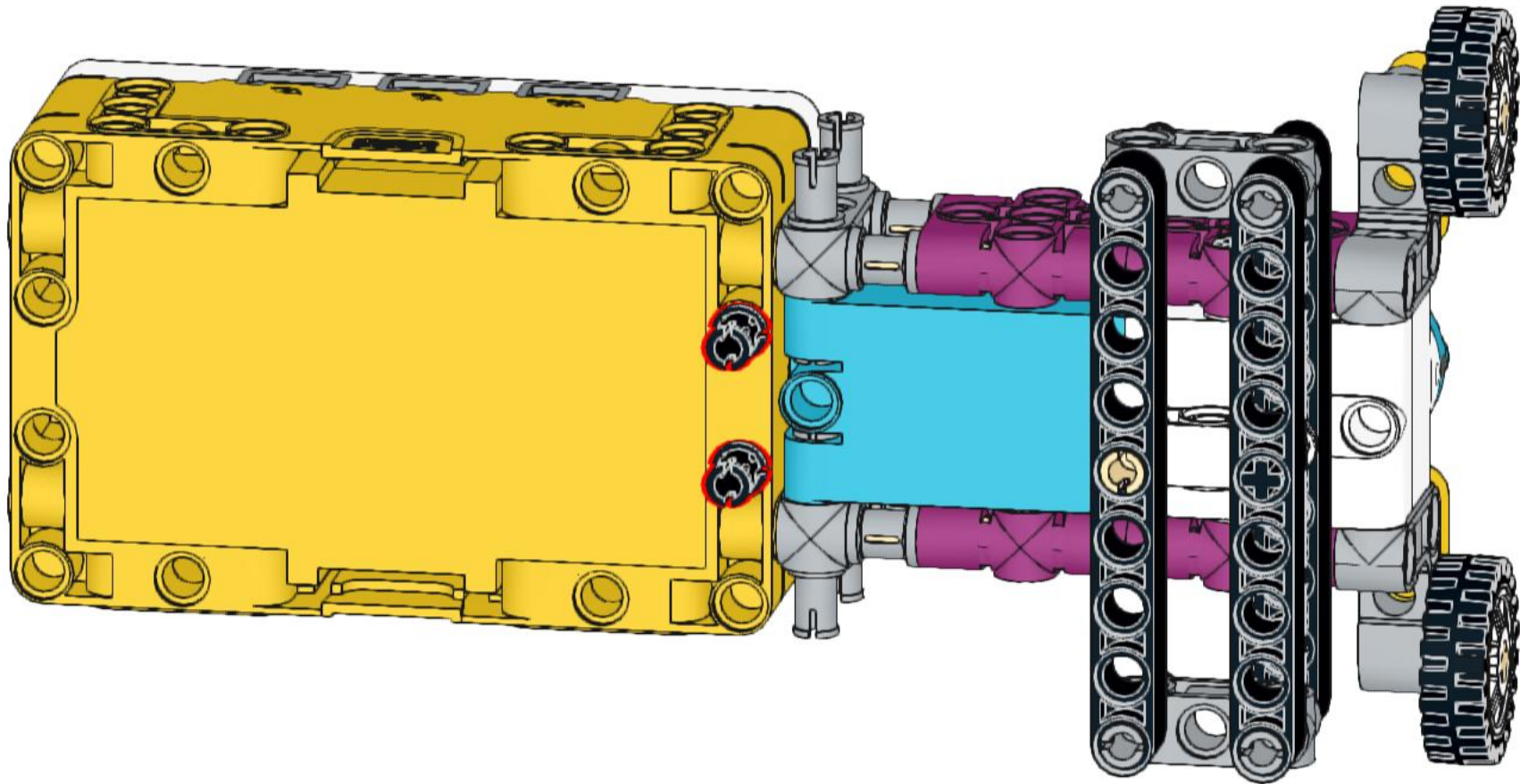
15



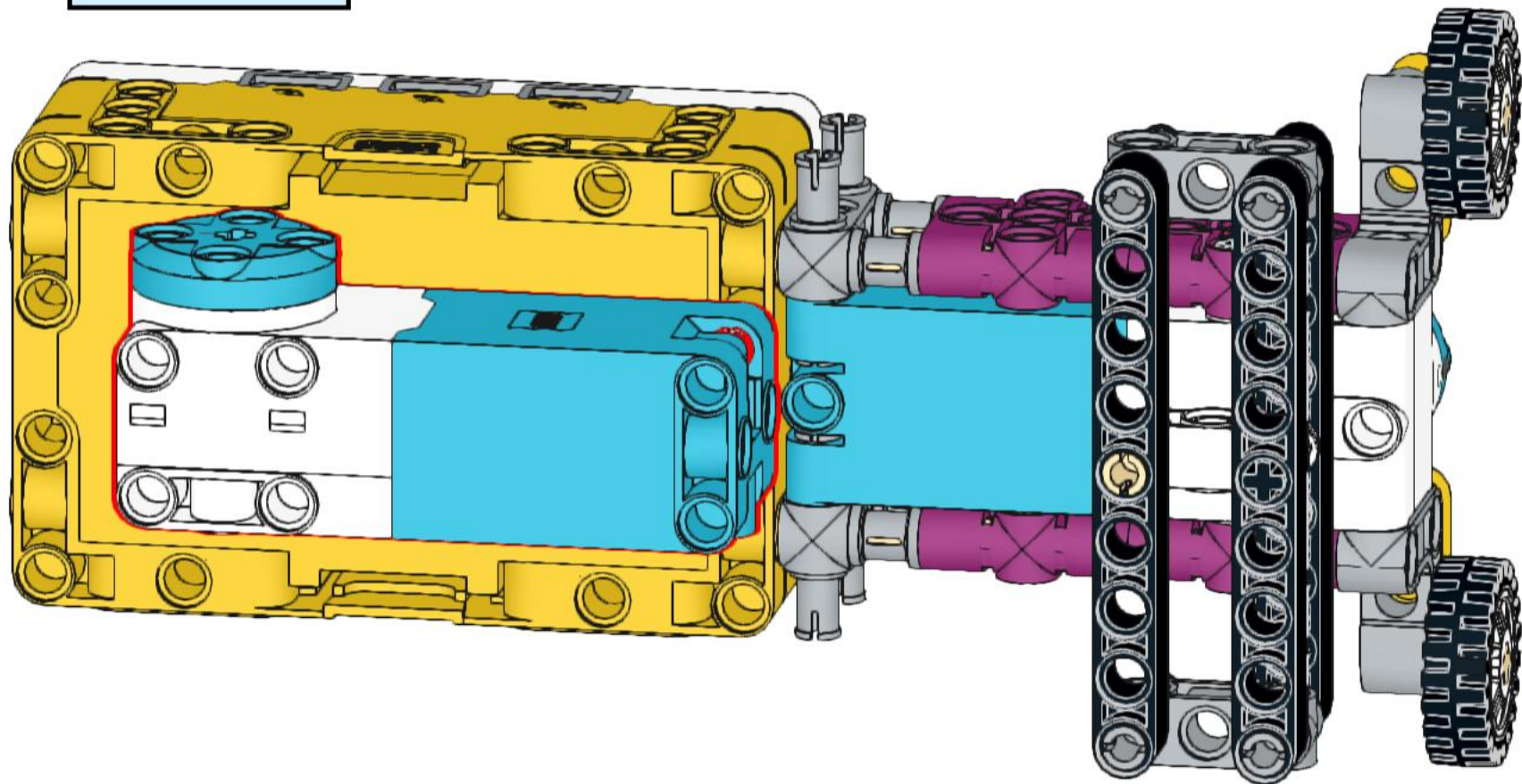
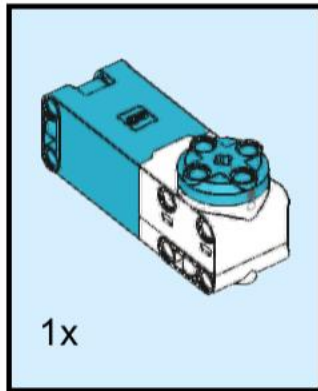
16



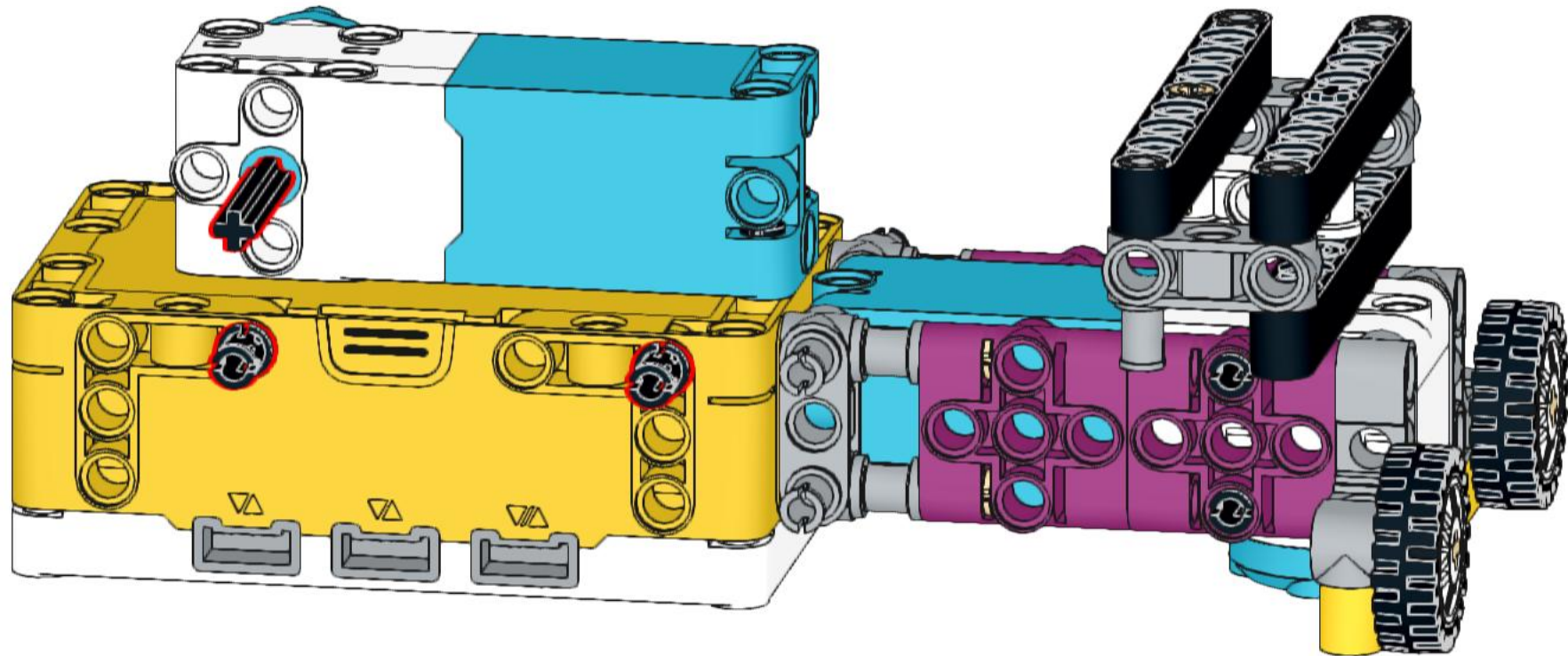
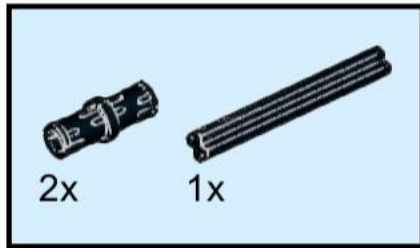
17



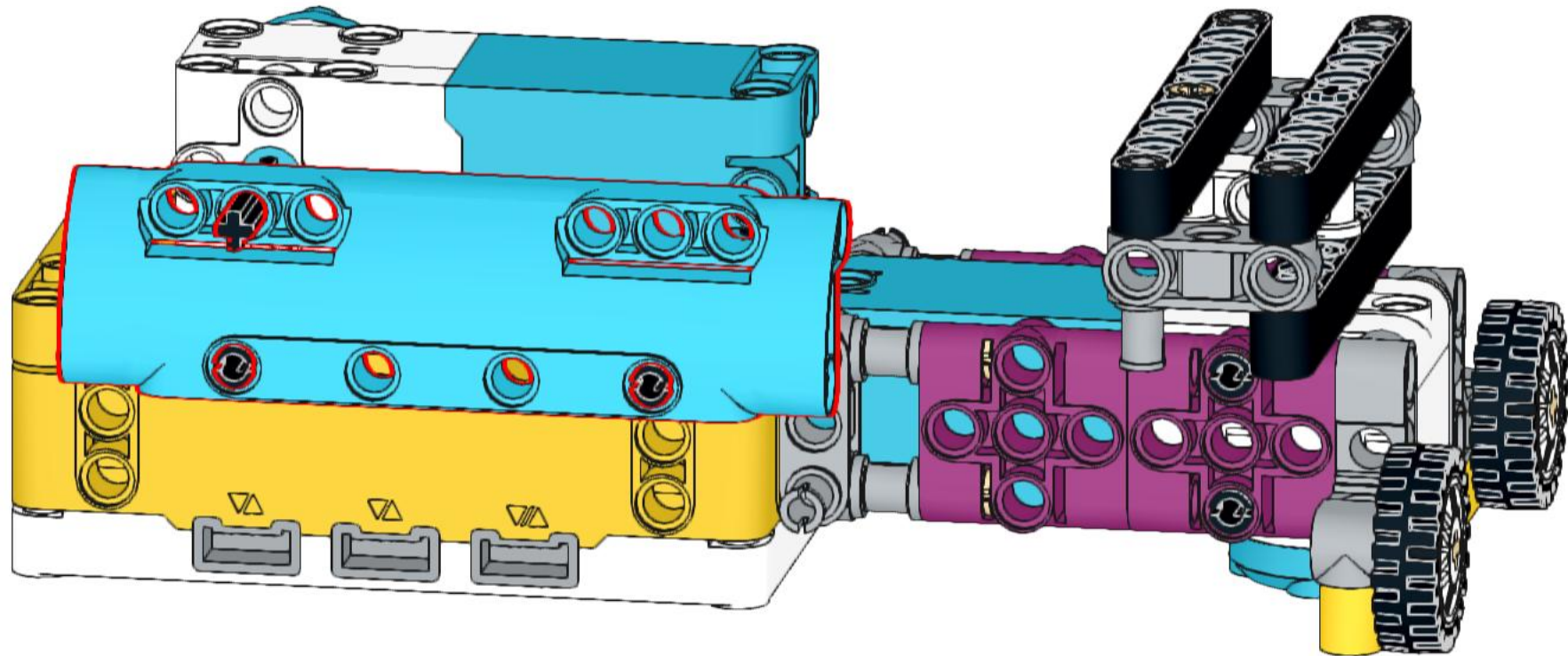
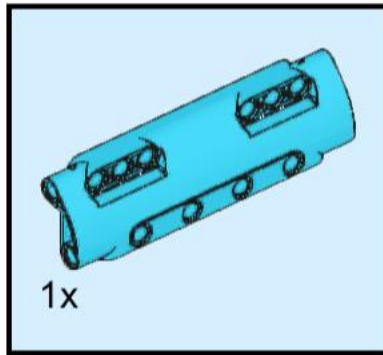
18



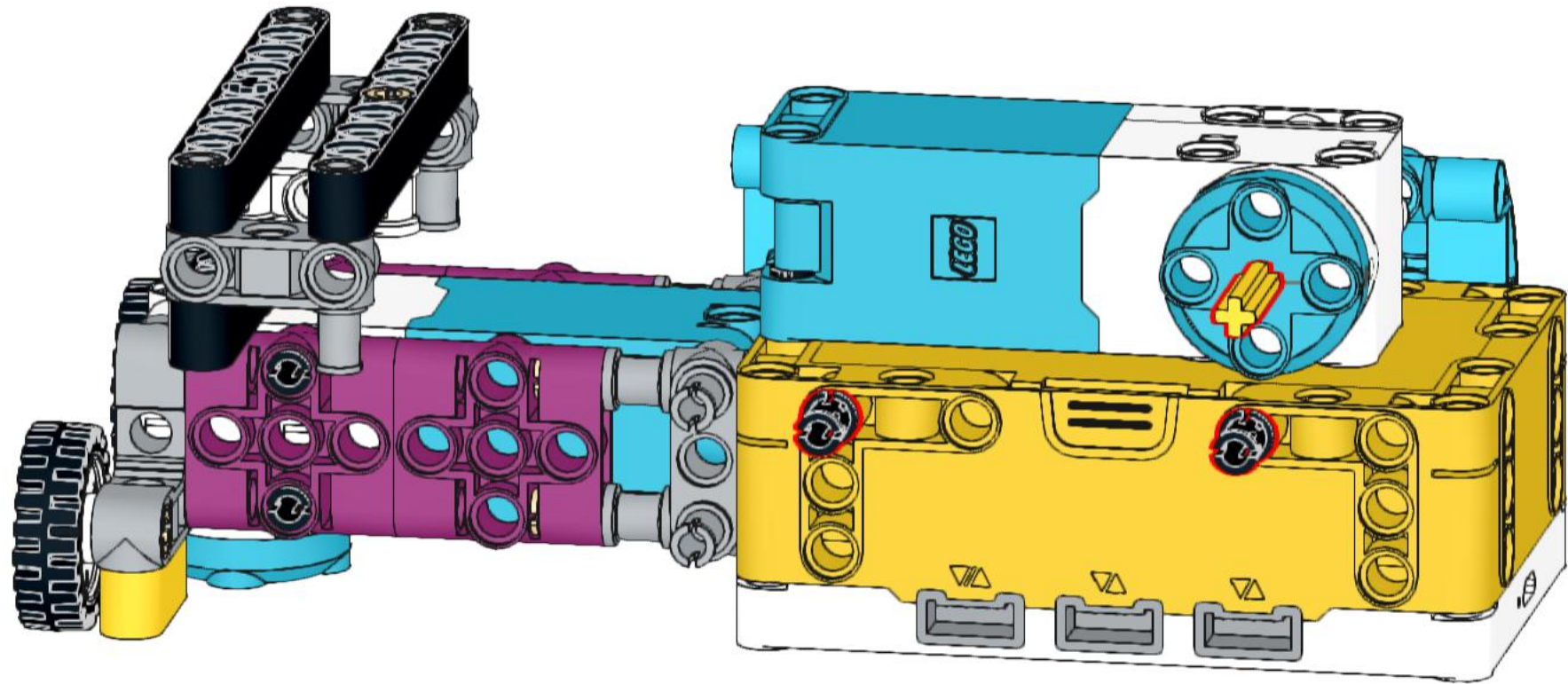
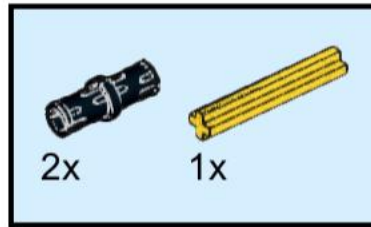
19



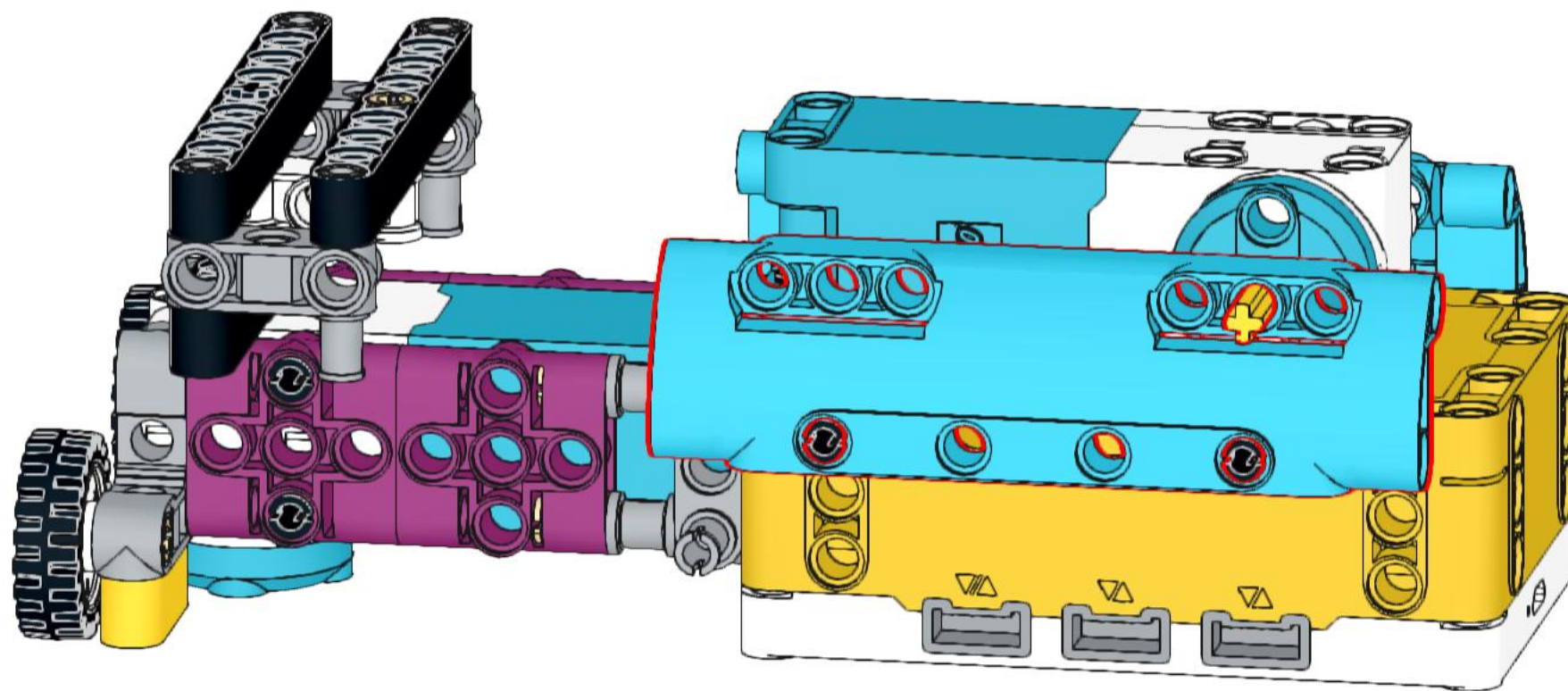
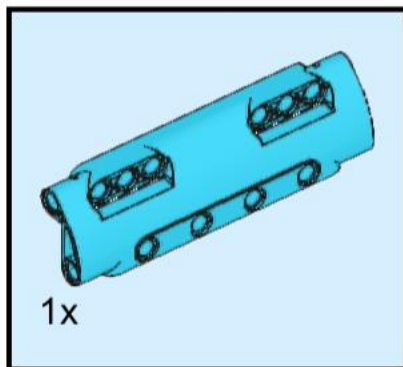
20



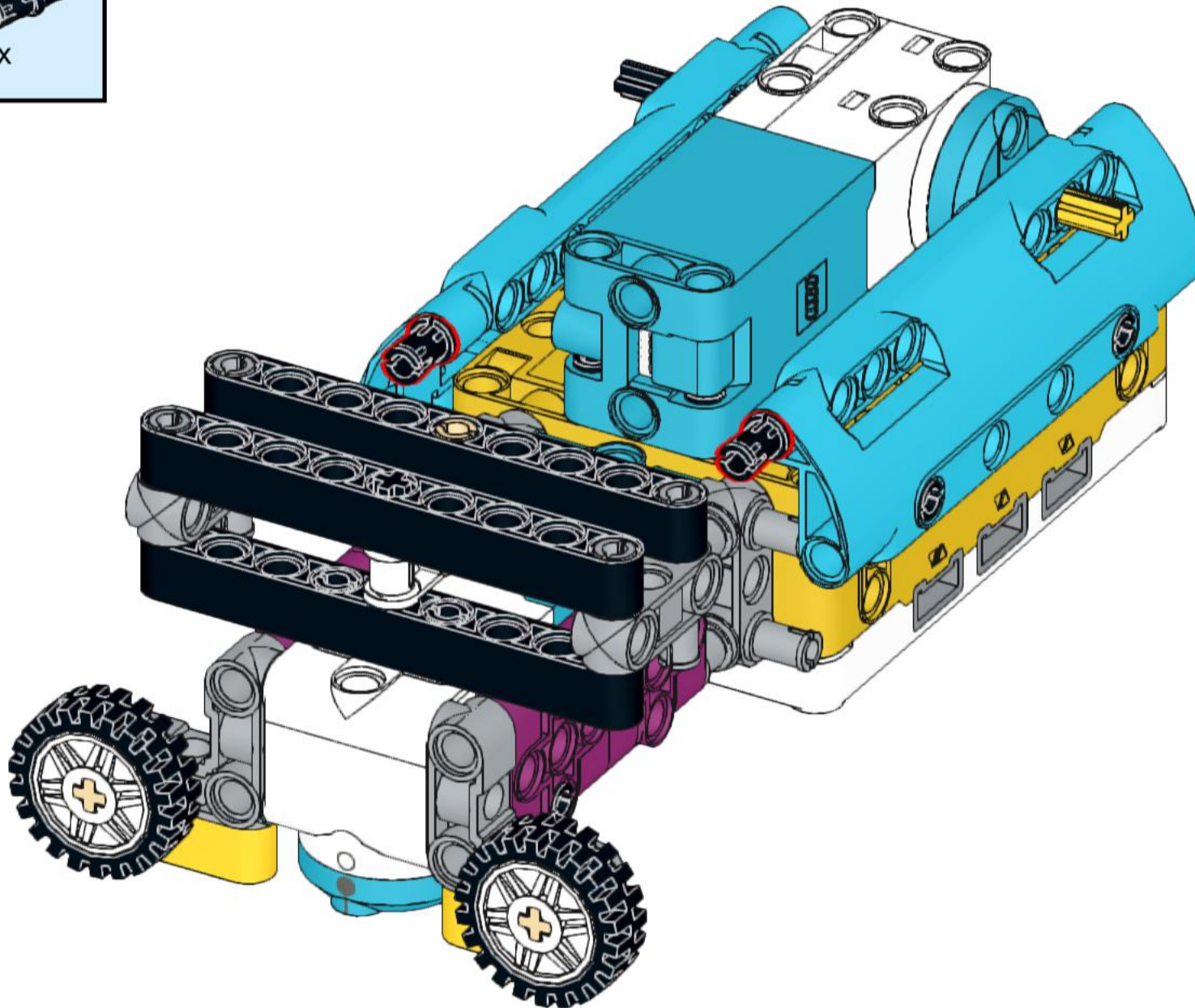
21



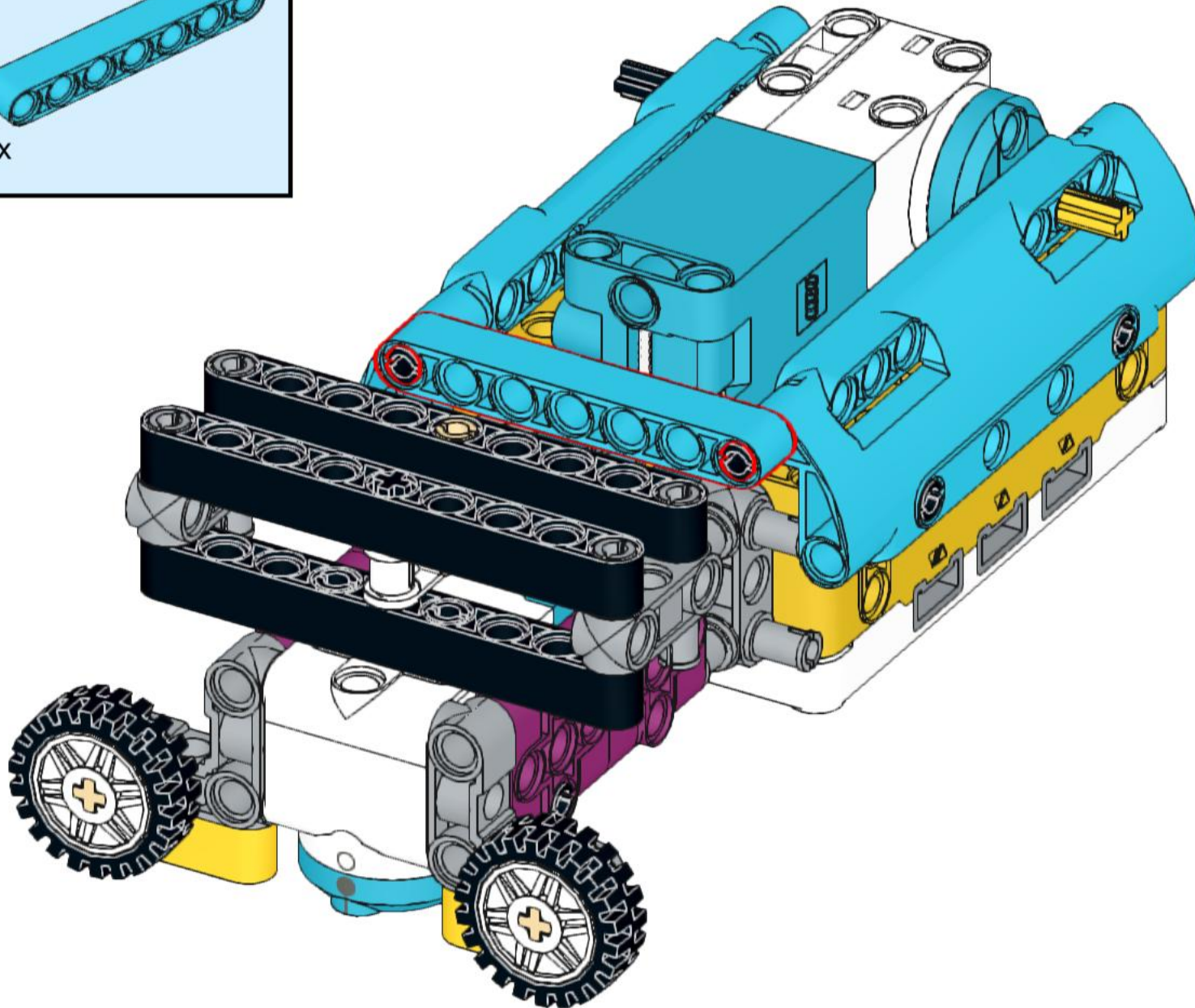
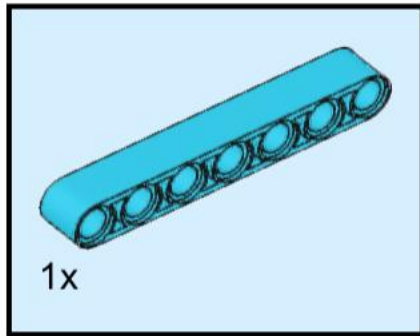
22



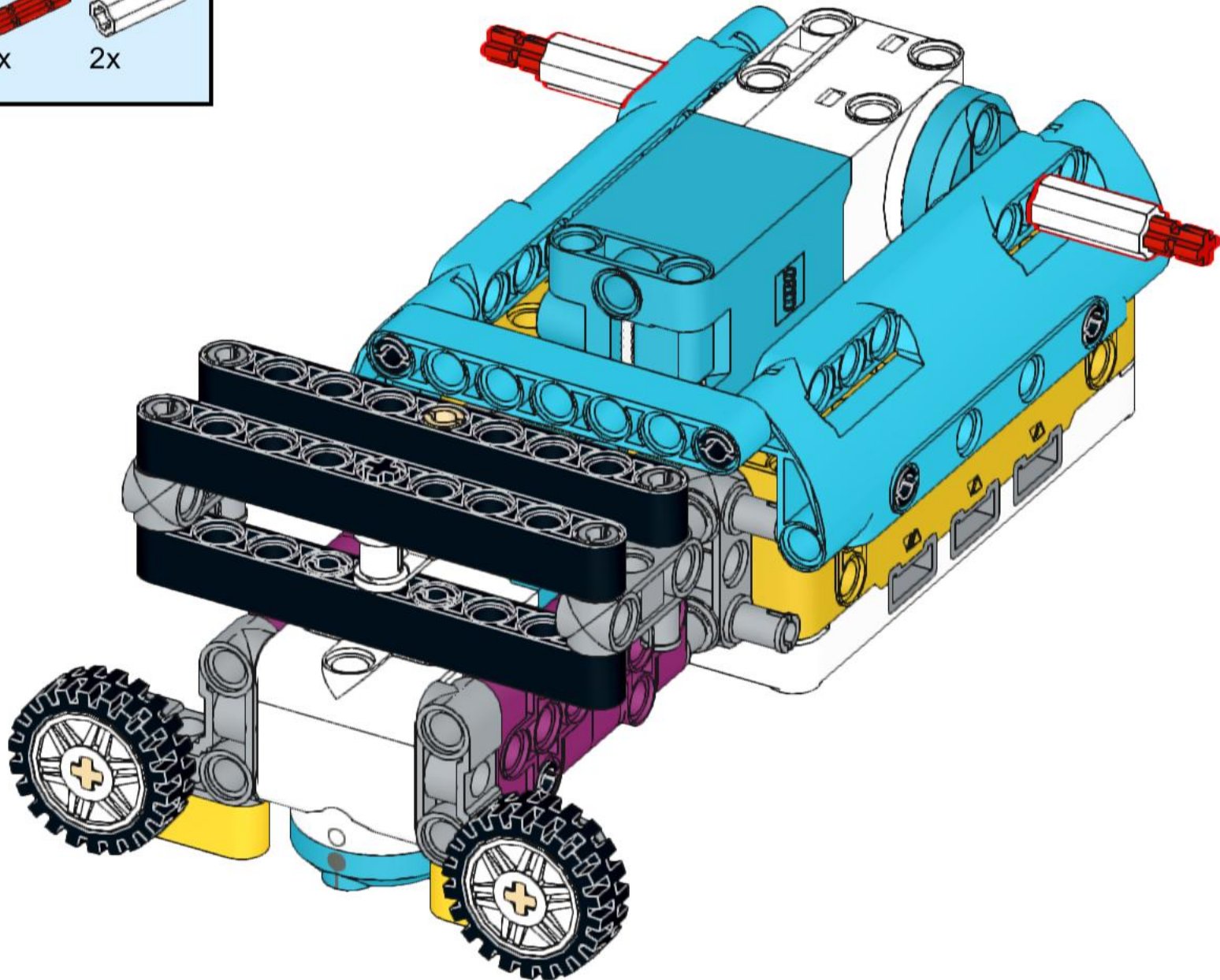
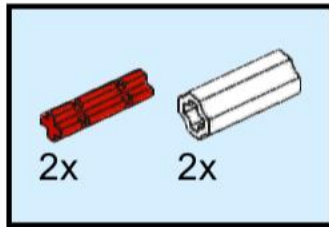
23



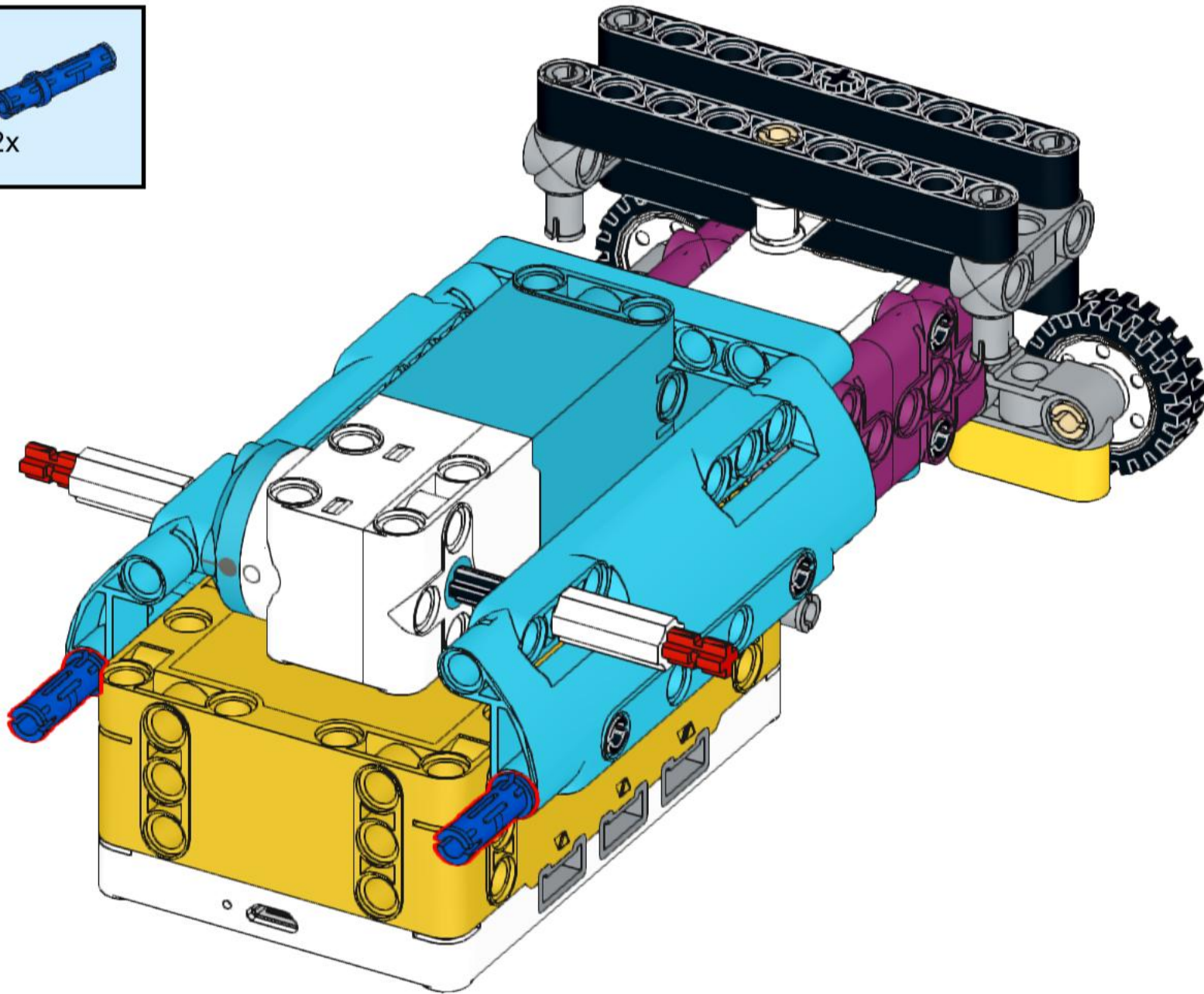
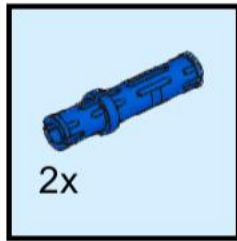
24



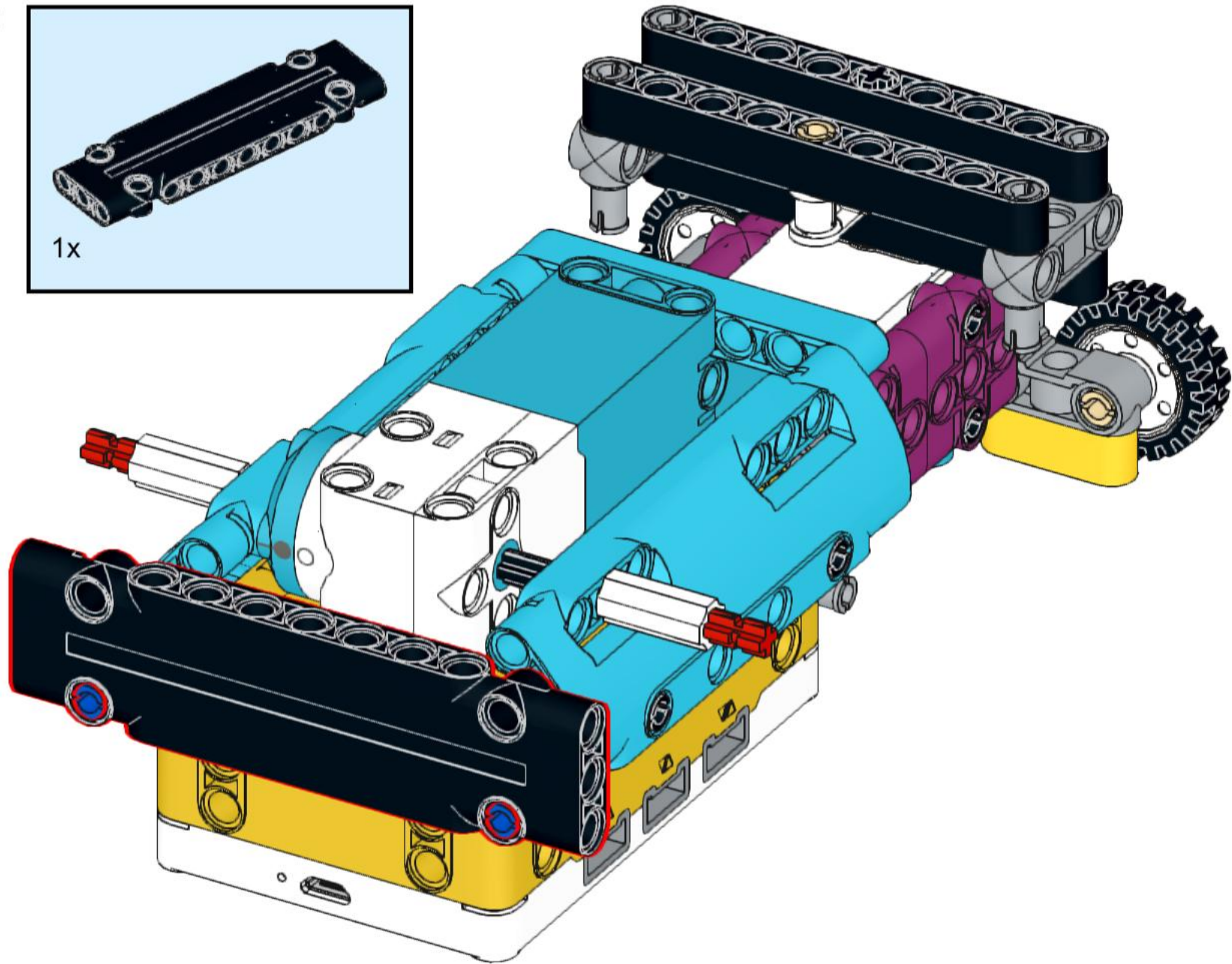
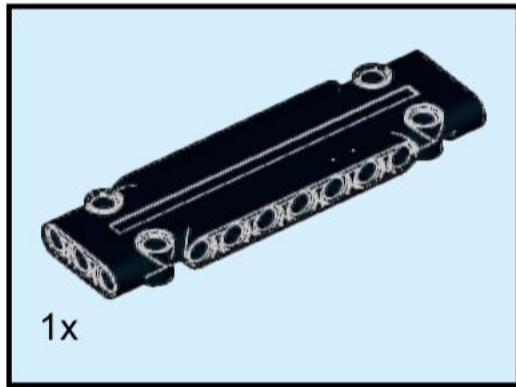
25



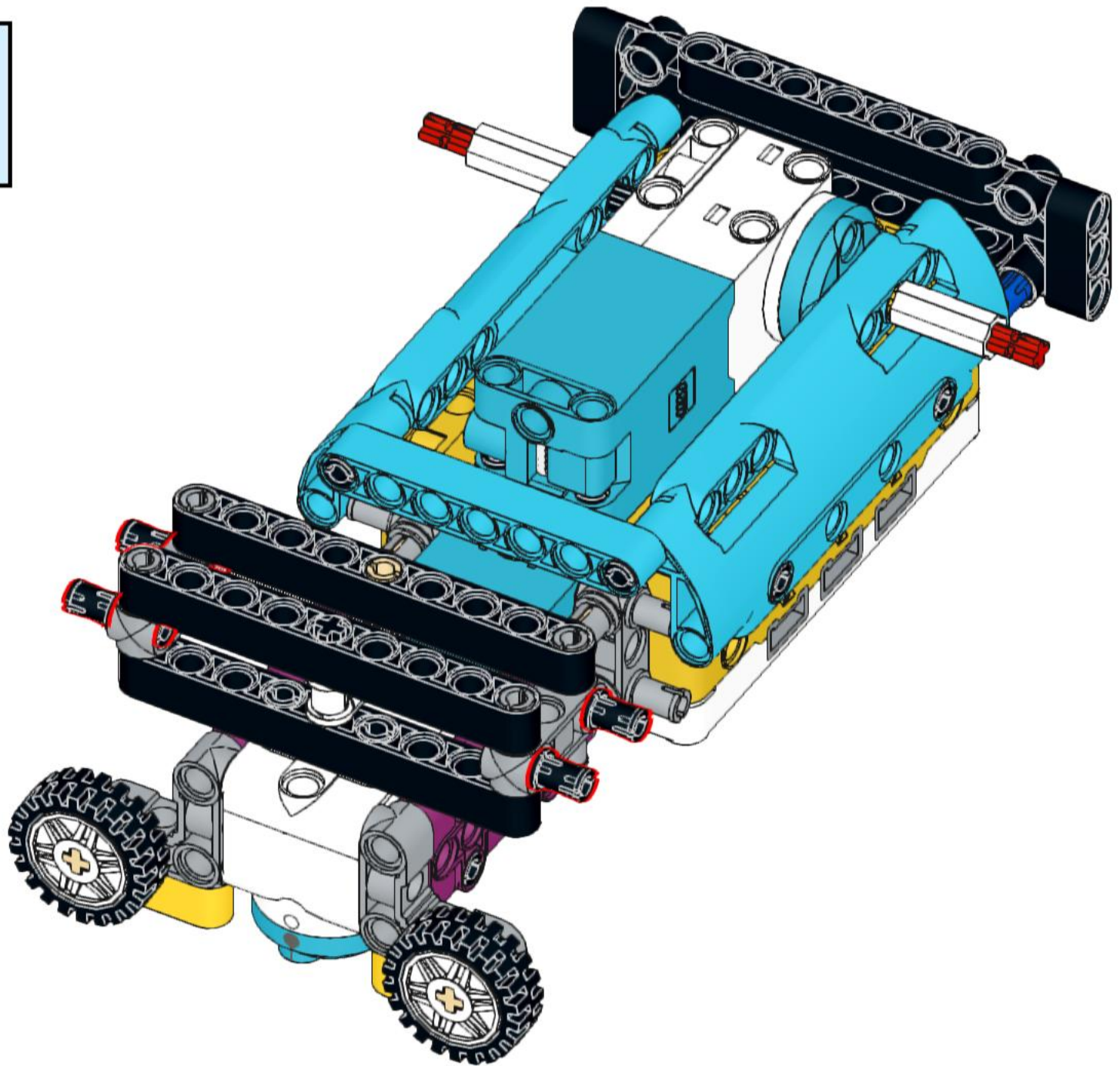
26



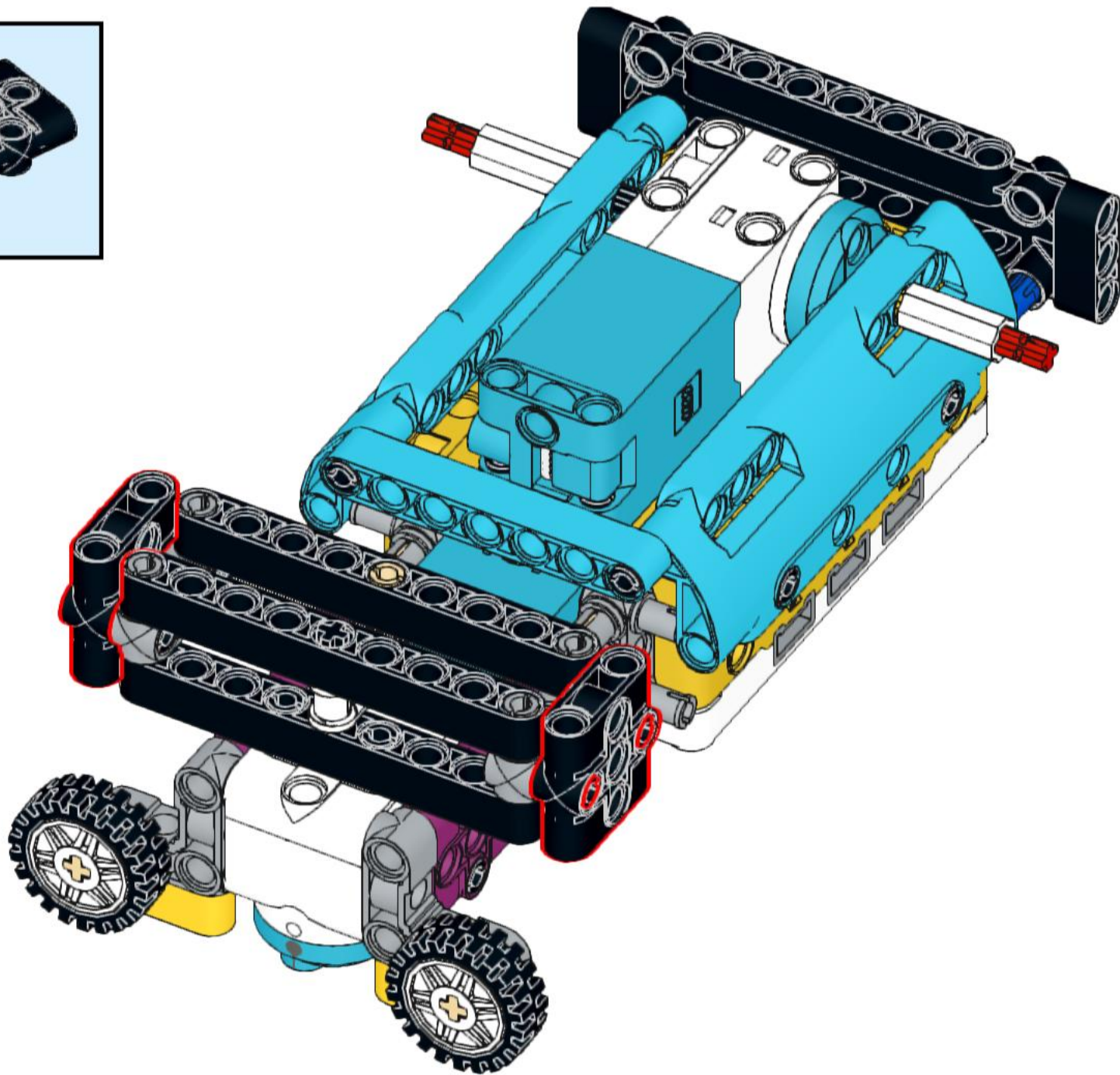
27



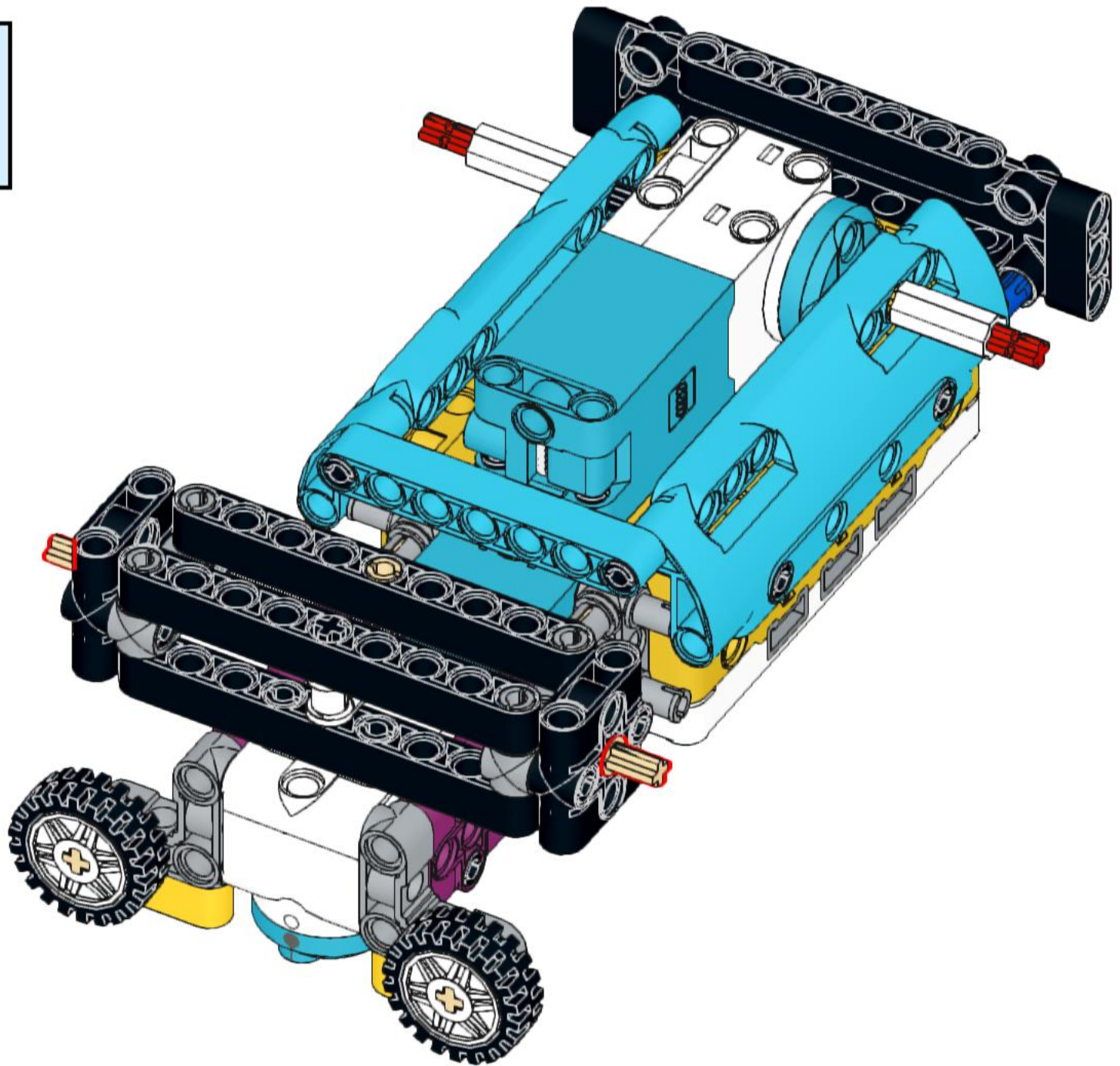
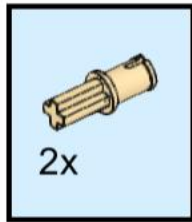
28



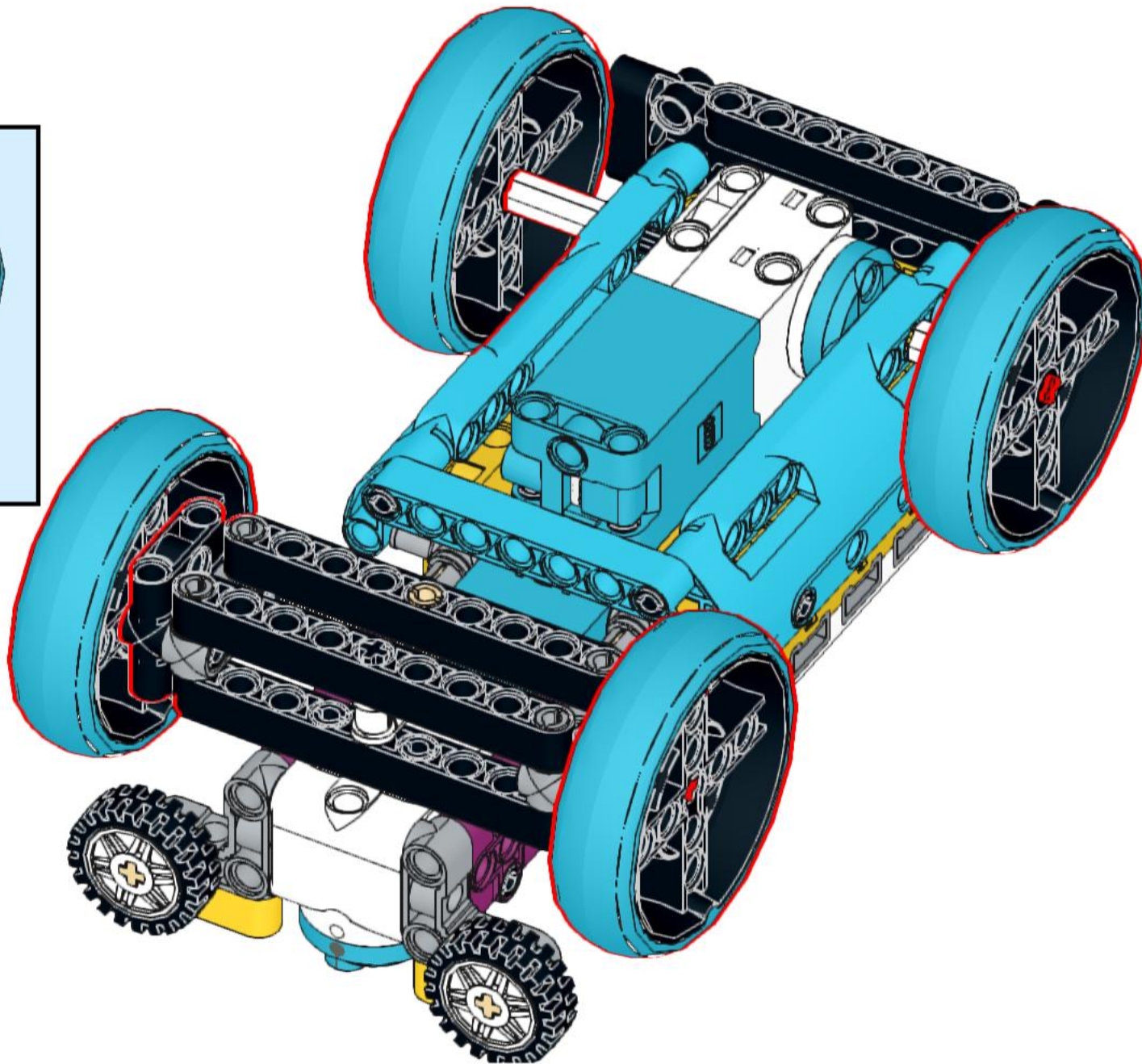
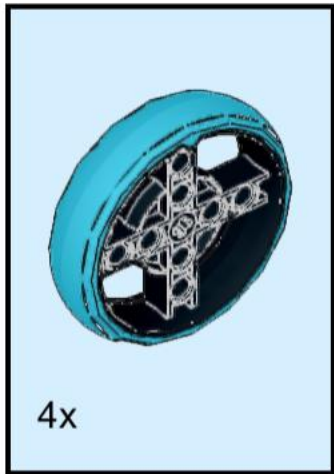
29



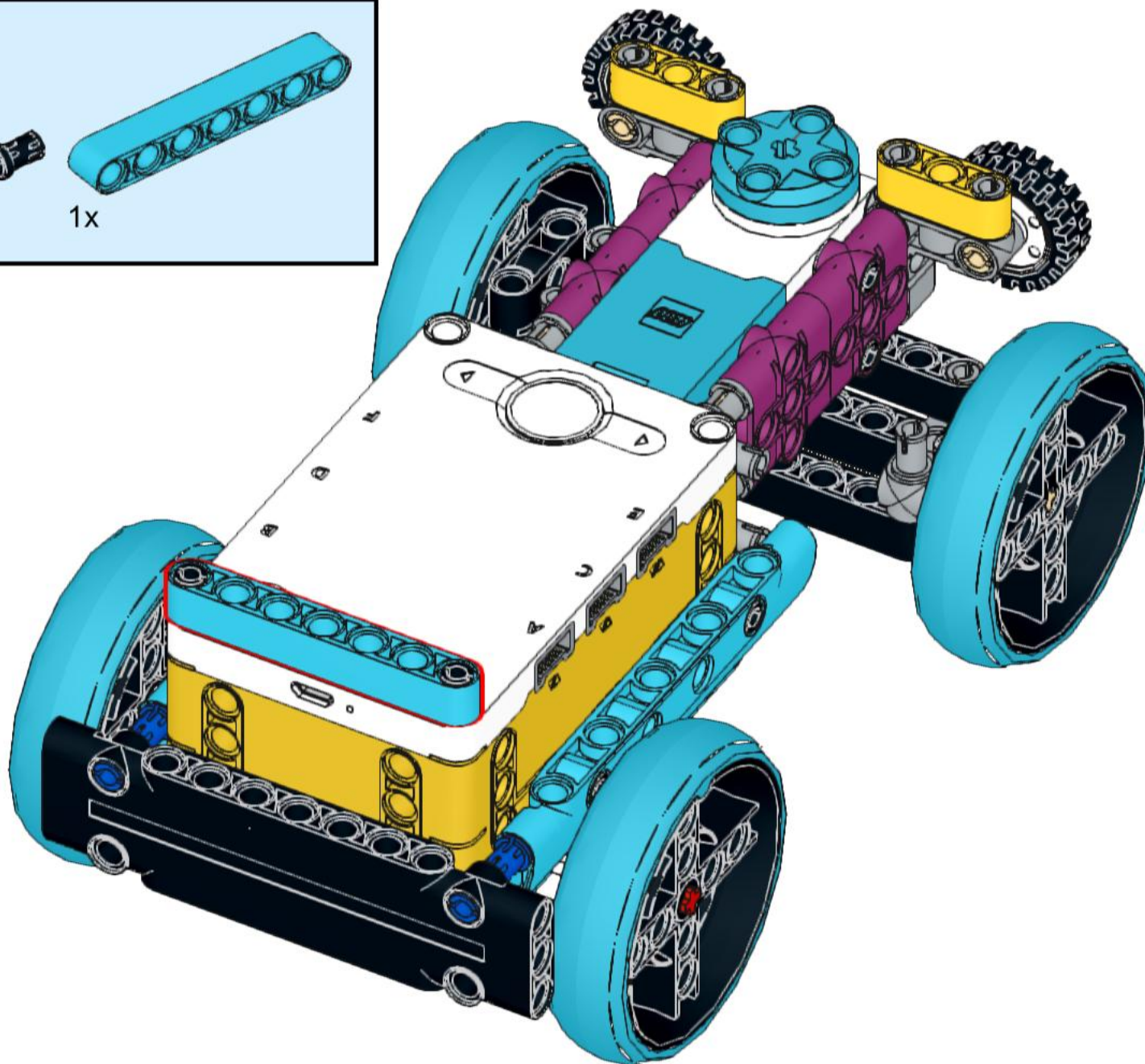
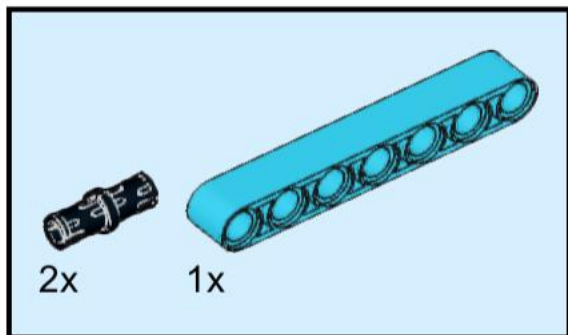
30



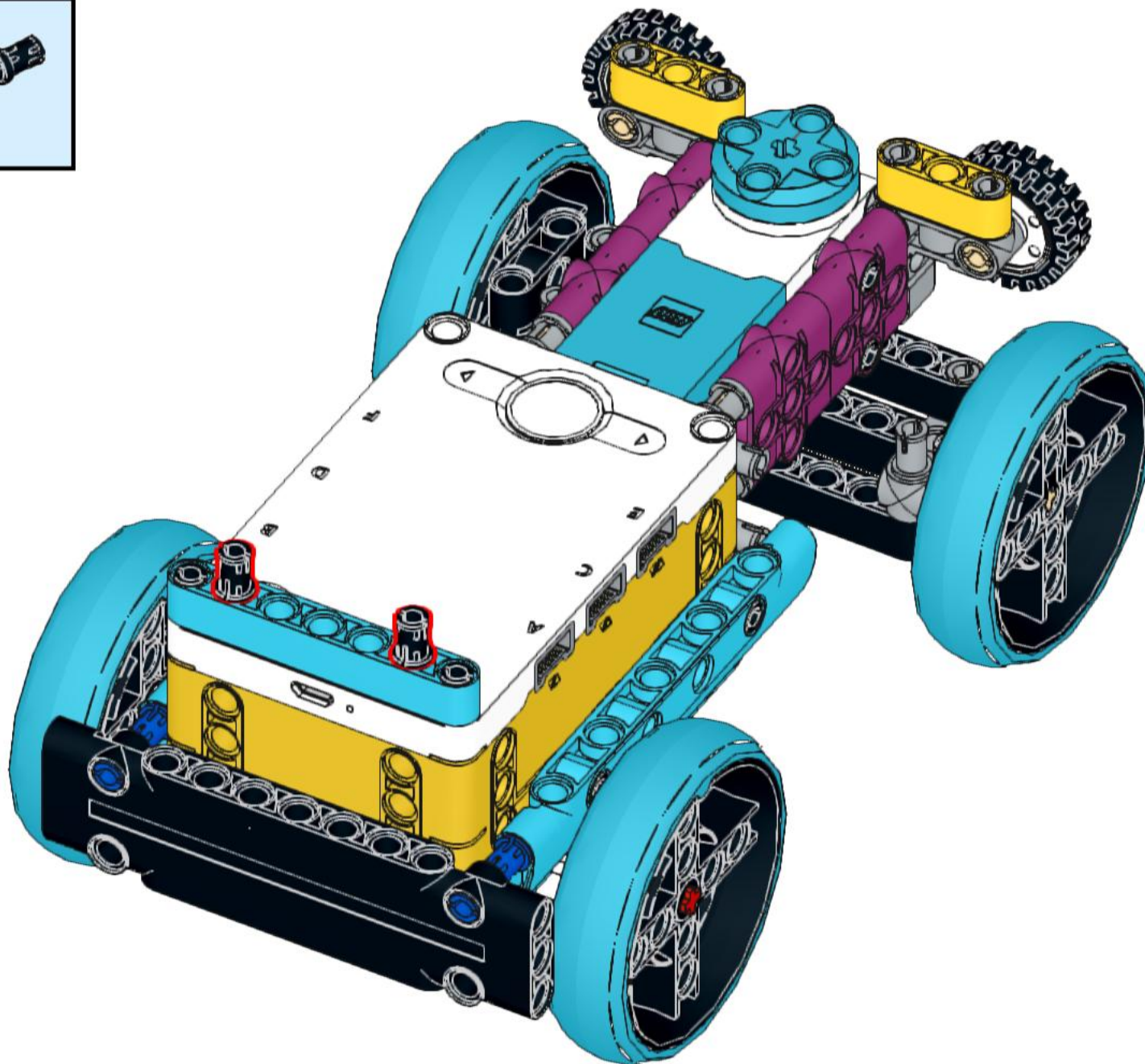
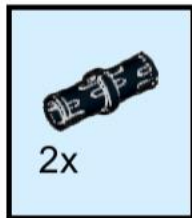
31



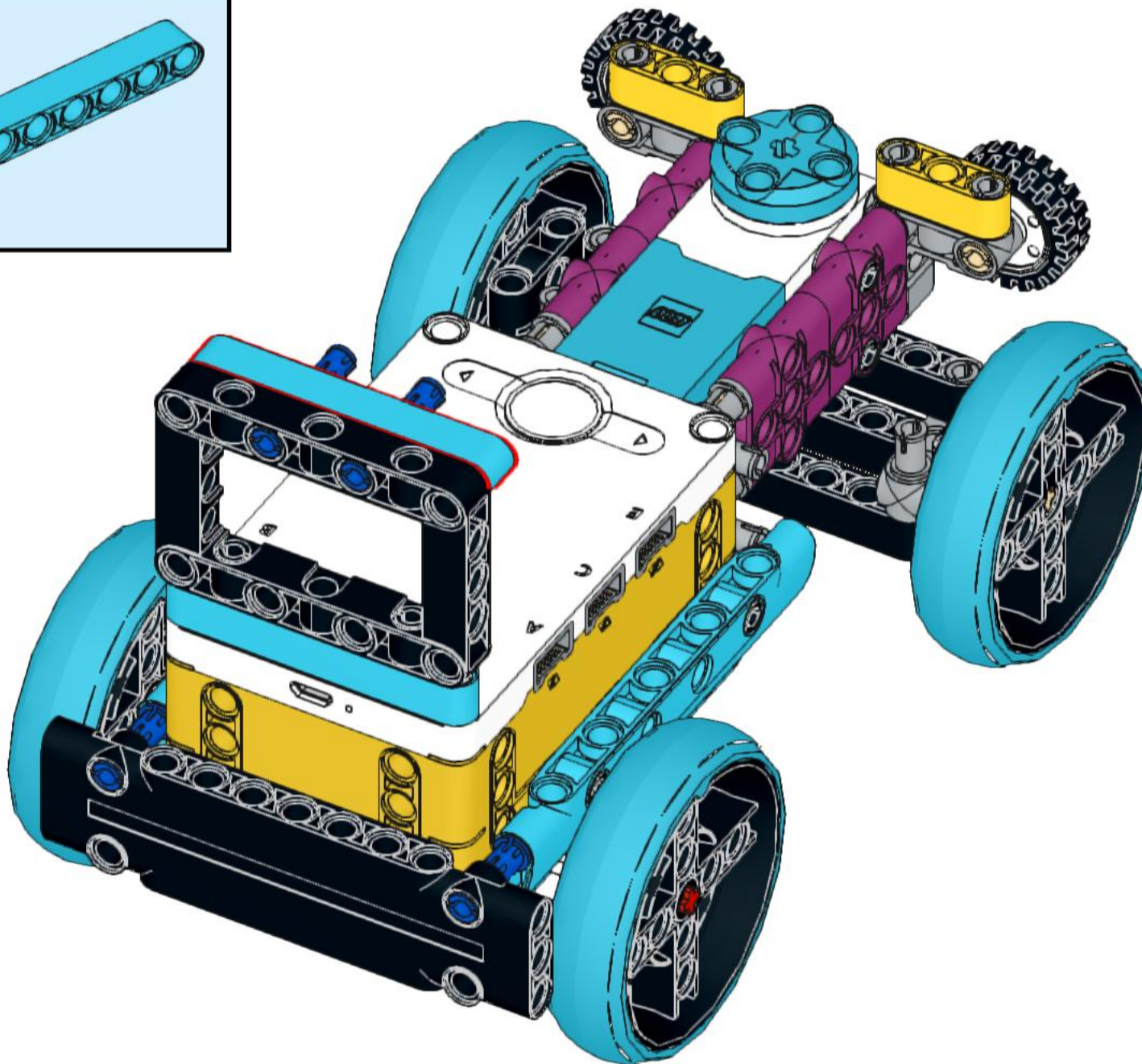
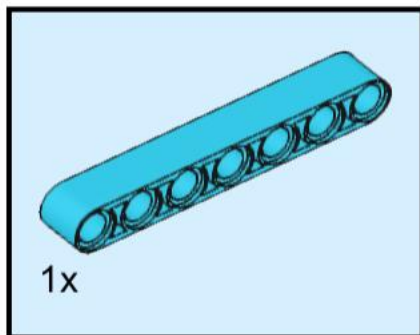
32



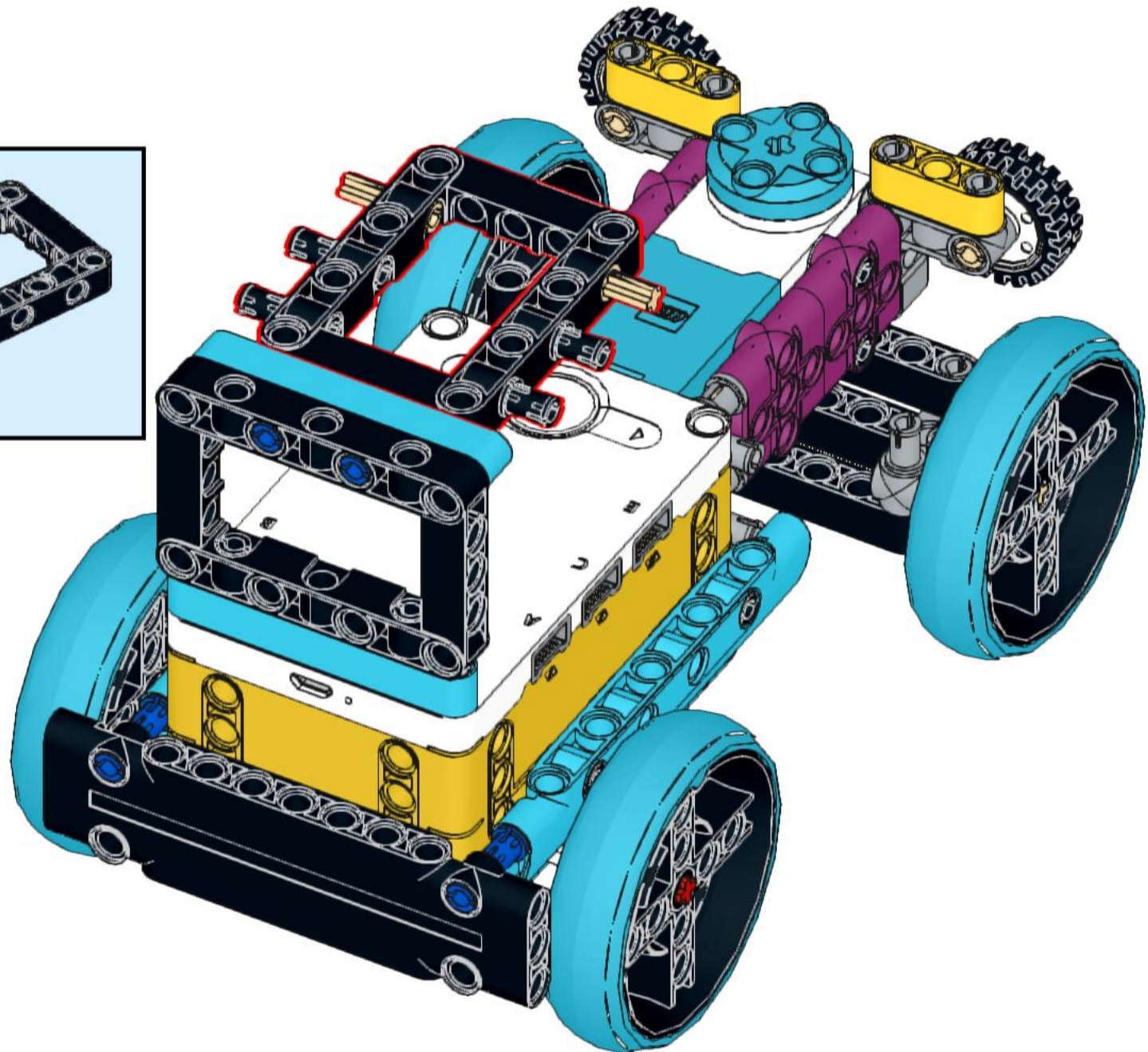
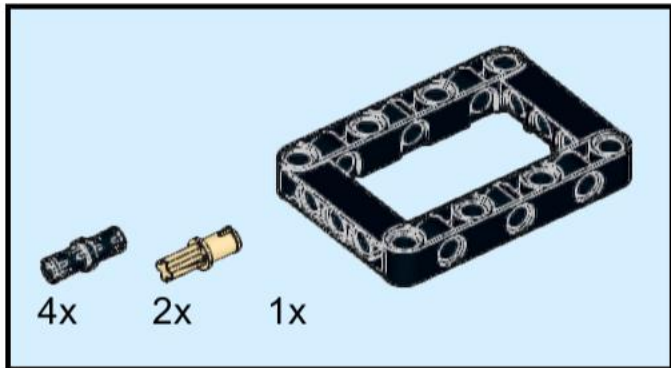
33



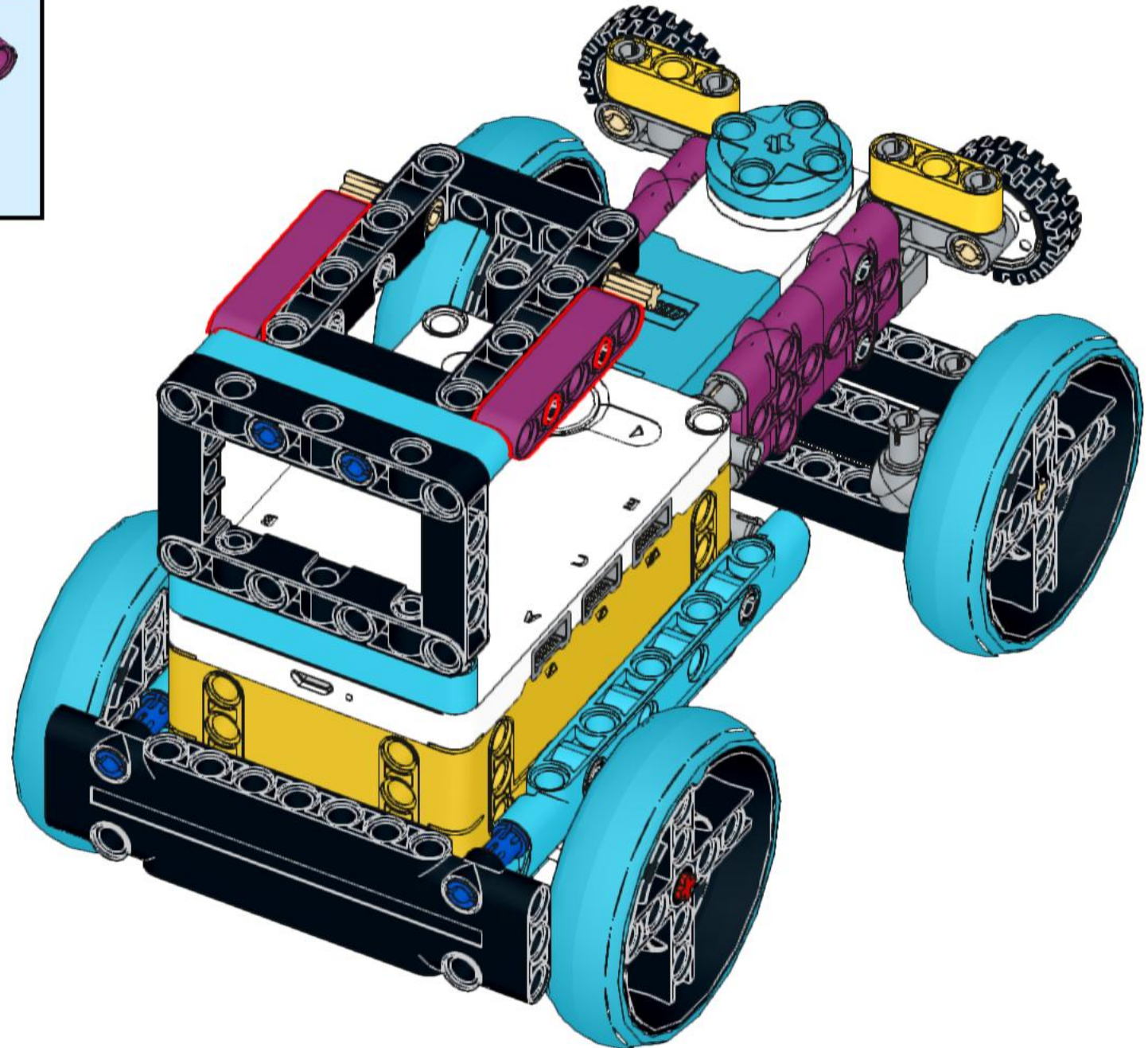
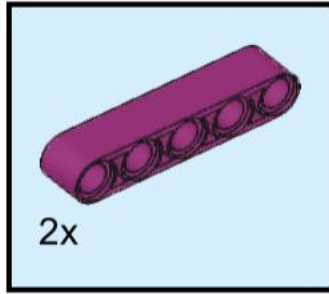
35



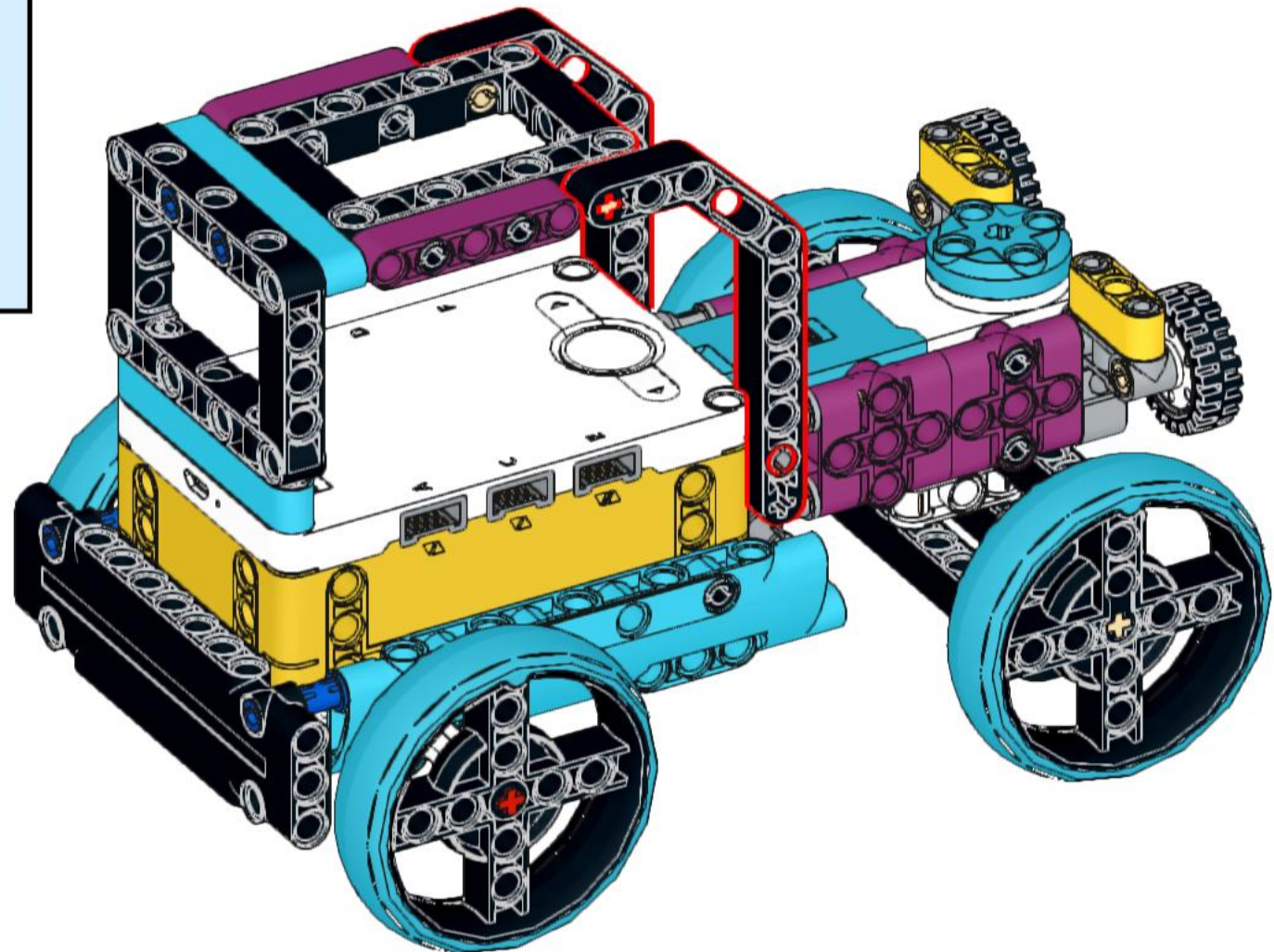
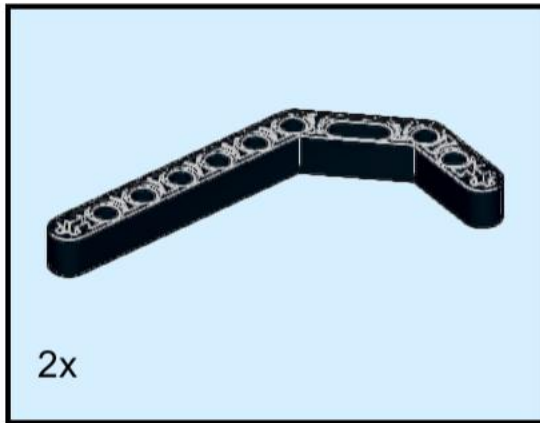
36



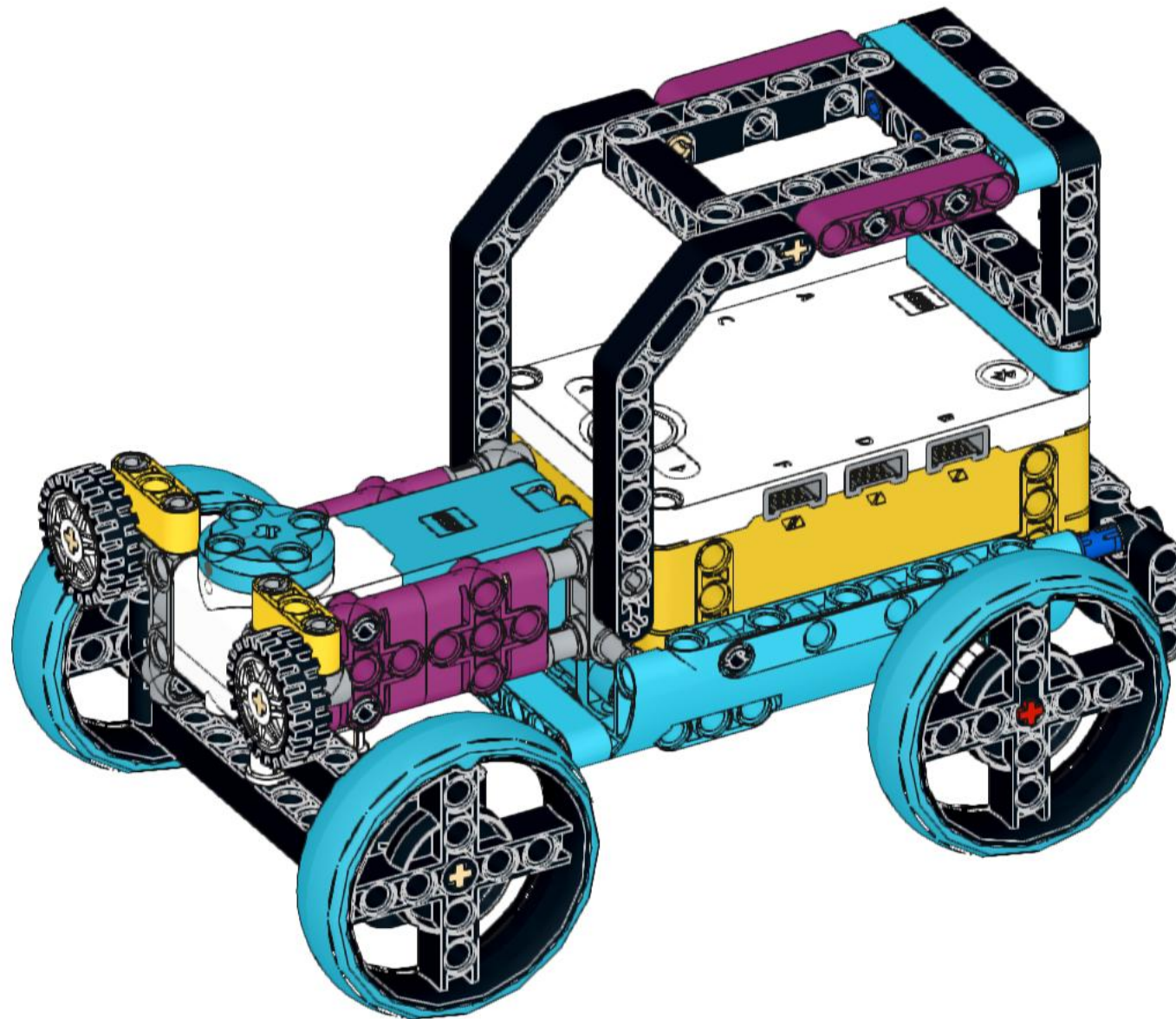
37



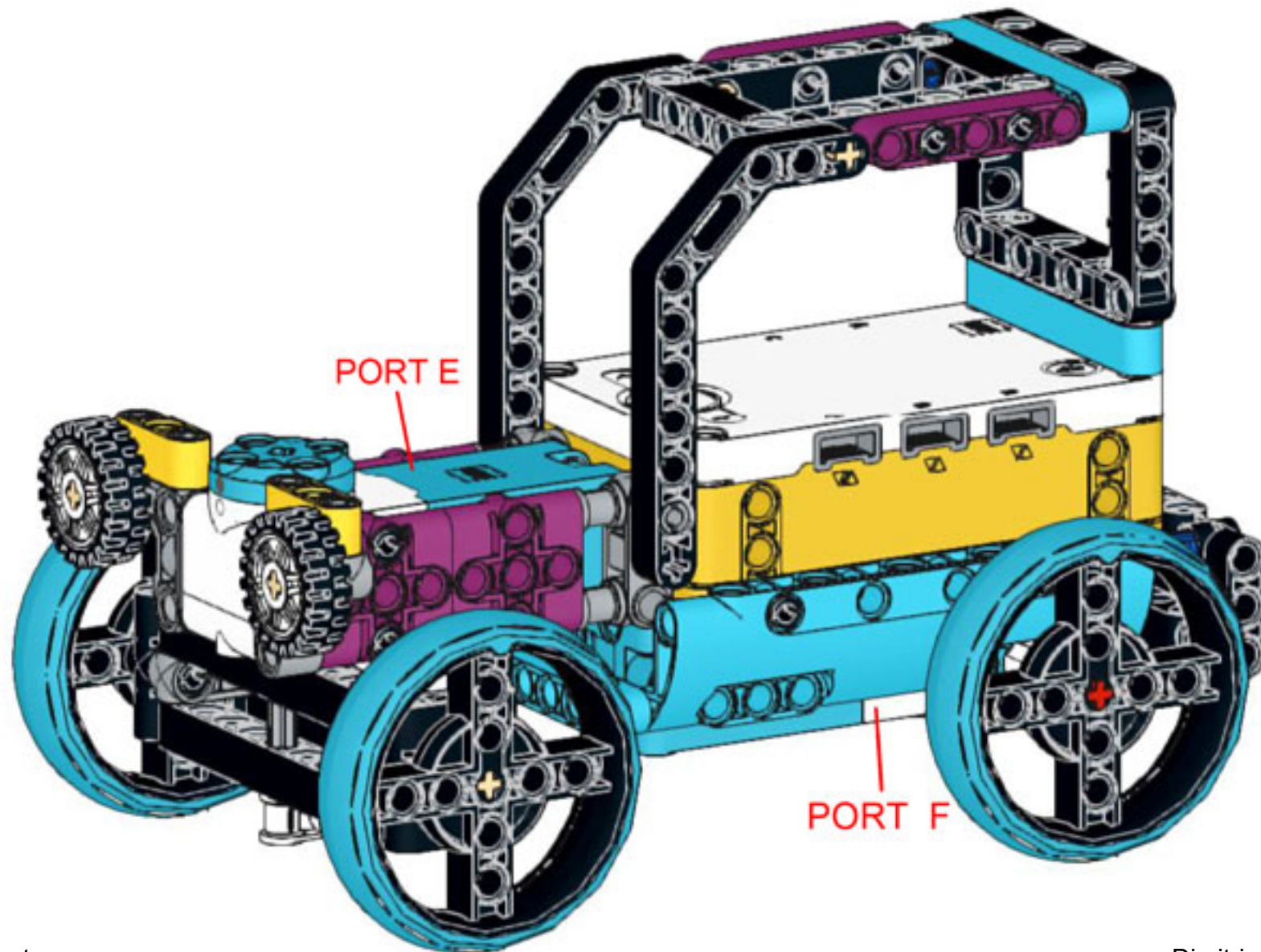
38



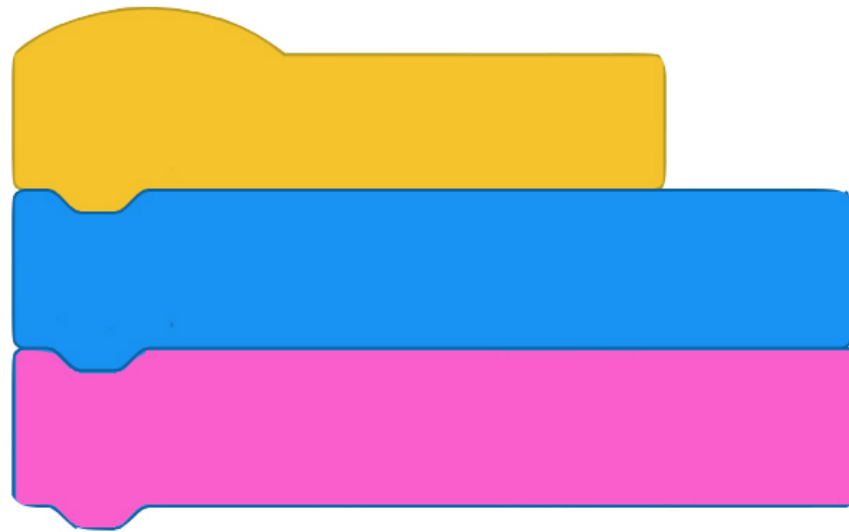
39



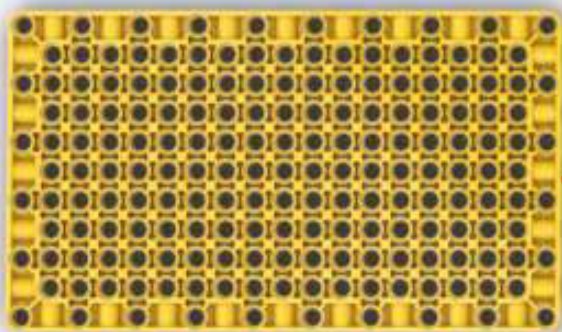
Cable Connections



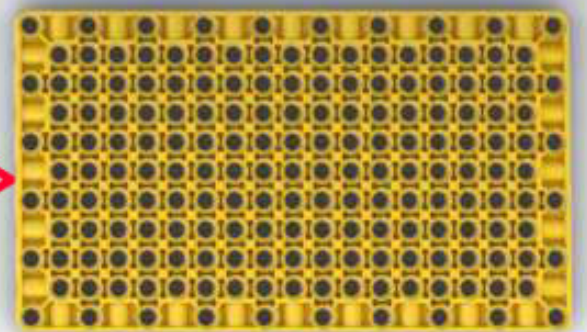
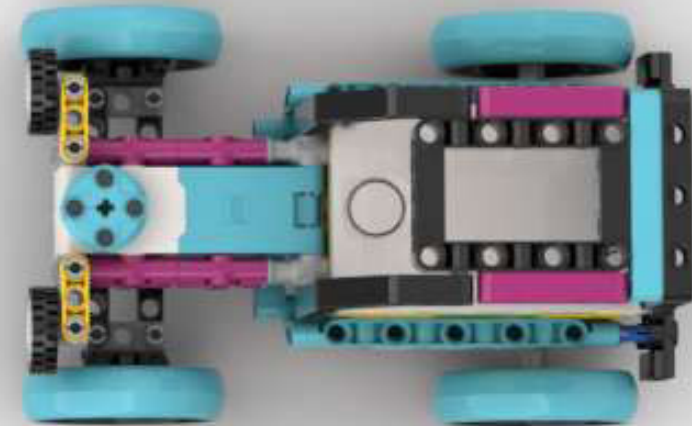
CODE



Setup



←----- 30 cm ----->



```
when program starts
  E set speed to 30 %
  E go shortest path to position 0
  F run for 2.8 rotations
  E run for 20 degrees
  F run for 460 degrees
  E go shortest path to position 0
  E run for 20 degrees
  F run for 340 degrees
  E go shortest path to position 0
  E run for 20 degrees
  F run for 110 degrees
  E go shortest path to position 0
```



 devbots